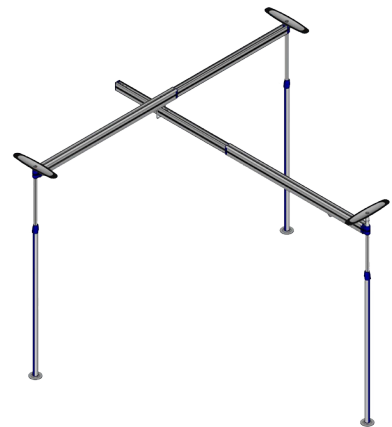




**EASYTRACK 3 POSTS  
WITH PIVOTING TRACK**  
Pressure fit system for portable  
ceiling lifts

**ARJOHUNTLEIGH**  
GETINGE GROUP



...with people in mind

The Easytrack is a pressure fit system requiring no permanent installation.

When using the 3 posts configuration with a pivoting track, the variation of the Easytrack system enables for straight line lifting within the transfer area generated by the pivoting track.

	Part #	Description
1	9330010	Easytrack - 3 Post (Ceiling lift sold separately)
2	700.10850	Pivoting extendable track 3000 mm (118 in) & trolley
3	700.10800	Extendable track 3000 mm (118 in) & swivel trolley
4	700.10455	Pivoting post assembly
5	700.10560	Pivoting hooking tube assembly
6	700.10500	Standard post
7	200.10720	Round endcap
8	000.03280	Allen key 6mm
9	700.10600	Clip-on level
10	700.10400	Top plate for post
11	700.10350	Round foot plate for post
12	700.10230	Plastic post strip (2 pieces)
13	200.11050	End cap
14	200.10780	Protector for track
15	700.10720	Extendable track 1300-1900 mm (52-75") & trolley
16	002.10450	Easytrack transport bag
17	700-08310	Reacher - 610 mm (24")
	700-08320	Reacher - 910 mm (36")



### Product Information

Max. safe working load (SWL)	200 kg (440 lb)
Weight	42.5 kg (93.5 lb)
Range	
Length of rail (fixed)	1900 - 3160 mm (74" to 124½")
Length of post (pivoting)	1900 - 3160 mm (74" to 124½")
Length of post	2130 - 2745 mm (84" to 108")
Material	Aluminium
Ceiling plate	510 mm (20")
Floor plate	120 mm (4.8")
Compliant with:	ISO 10535:2006

### Product dimensions (#933010)

