

## ELECTRIC ADJUSTABLE BED

# OWNERS MANUAL

MODEL # \_\_\_\_\_

SERIAL # \_\_\_\_\_

- ✓ Please list MODEL and SERIAL NUMBERS for future REFERENCE
- ✓ Use these Numbers in all correspondence and calls for Service



YOUR LIFE IN MOTION

# **CONGRATULATIONS!**

You are now the proud owner of the best in adjustable beds. You will find this ownership will bring years of restful and healthy sleep. We would like to take this opportunity to thank you for your smart and prudent choice.

## **WAYS TO ENJOY YOUR NEW ADJUSTABLE BED**

Watching television

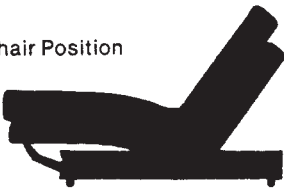
Reading

Writing

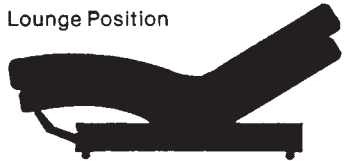
Sewing or knitting

Snacking or dining in luxury  
or just plain fancy resting

Chair Position



Lounge Position



Back Relief Position



Flat Position



## **IMPORTANT!**

### **READ THIS MANUAL FIRST BEFORE INSTALLING OR OPERATING YOUR ADJUSTABLE BED**

Your motorized adjustable bed has been engineered from the casters up to provide the ultimate in strength and reliability.

Great care has been taken to provide you with total comfort and safety. Golden Technologies thoroughly inspects and tests each unit prior to shipment.

## **WARNING**

Care should be taken in the unpacking of this unit, so as not to cause injury to persons or damage to the unit. Dispose of all plastic bags and covers, as they can be a smothering hazard to small children.

To reduce risk of electrical shock, Do not immerse any of the electrical components into a liquid, Do not open any of the electrical components there are no serviceable parts.

Warranty will be void if any of the electrical components are opened by other than a qualified service person.

This Bed is designed for indoor use only.

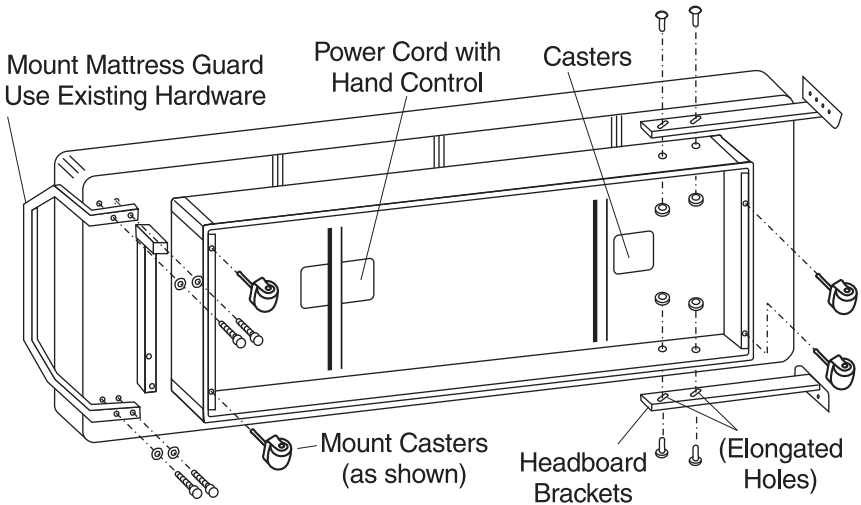
This Bed was not manufactured for hospital use, or designed to meet hospital standards and regulations.

## **ELECTRICAL CONNECTION**

Plug your motorized adjustable bed into a 120 Volt 60 Cycle indoor outlet.

# INSTALLATION

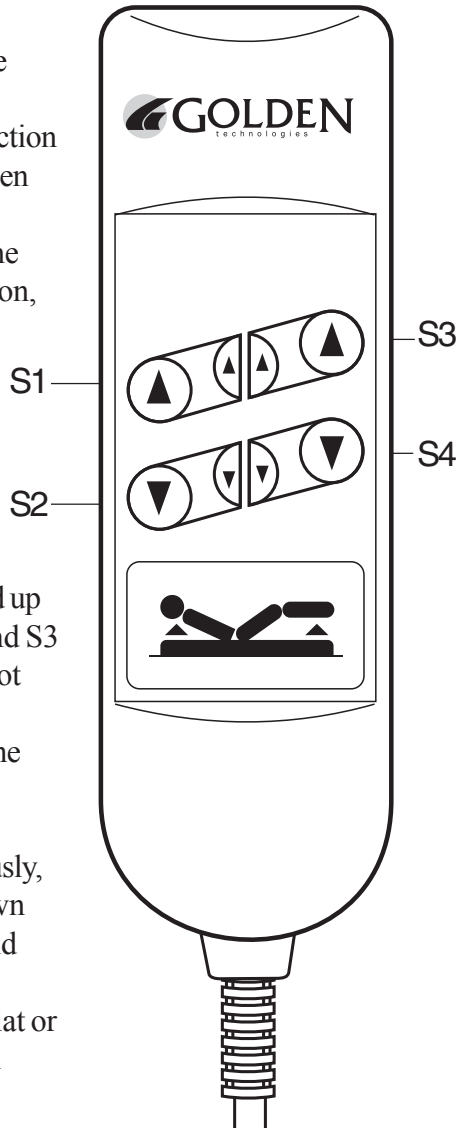
1. Remove the plastic bags containing the power cord, hand control and casters. Dispose of bags properly since they can be a hazard to small children.
2. Remove the headboard brackets.
3. Install the four casters as illustrated.
4. Lift the bed from the carton, position the bed on its side and install the mattress guard as illustrated.



5. Install the headboard brackets as illustrated.
6. Position the bed with casters down on the floor.
7. Place the mattress in position. Note: the removal and disposal of the plastic cover is necessary to insure proper ventilation and to avoid the possibility of mildew. Discard the plastic since they can be a hazard to small children.
8. Position the bed in the desired place in the room. Plug the power cord into a 120 volt 60 cycle indoor outlet.

## BED OPERATION MODEL 3101

1. To elevate the head section of the bed, press the head up button, (S1) and hold until the head section of the bed reaches the desired height. Then release the button.
2. To lower the head section of the bed, press the head down button, (S2) and hold until the head section of the bed reaches a flat or any position in between. Then release the button.
3. To raise the foot section of the bed, press the foot up button, (S3) and hold until the foot section reaches the desired height. Then release the button.
4. To lower the foot section of the bed, press the foot down button, (S4) and hold until the foot section of the bed reaches a flat or any position in between. Then release the button.
5. To elevate the head and foot section of the bed simultaneously, press the head up foot up button between S1 and S3 and hold until the head and foot section of the bed reaches the desired height. Then release the button.
6. To lower the head and foot section of the bed simultaneously, press the head down foot down button between S2 and S4 and hold until the head and foot section of the bed reaches a flat or any position in between. Then release the button.



## **BED OPERATION MODEL 4101**

1. To elevate the head section of the bed, press the head up button, (S6) and hold until the head section of the bed reaches the desired height. Then release the button.
2. To lower the head section of the bed, press the head down button, (S7) and hold until the head section of the bed reaches a flat or any position in between. Then release the button.
3. To raise the foot section of the bed, press the foot up button, (S8) and hold until the foot section reaches the desired height. Then release the button.
4. To lower the foot section of the bed, press the foot down button, (S9) and hold until the foot section of the bed reaches a flat or any position in between. Then release the button.
5. To lower the head and foot section of the bed simultaneously, press the head down foot down button (S14) and hold until the head and foot section of the bed reaches a flat or any position in between. Then release the button.

## **MASSAGE OPERATION MODEL 4101**

Button S1, S12 and S13 control the wave program between the 2 vibrators. Select the one that best suits you.

Button S10 and S11 control the wave intensity of the 2 vibrators (Vibrator motor speed: S10 increases the speed S11 decreases the speed).

Button S14 turns massage off.

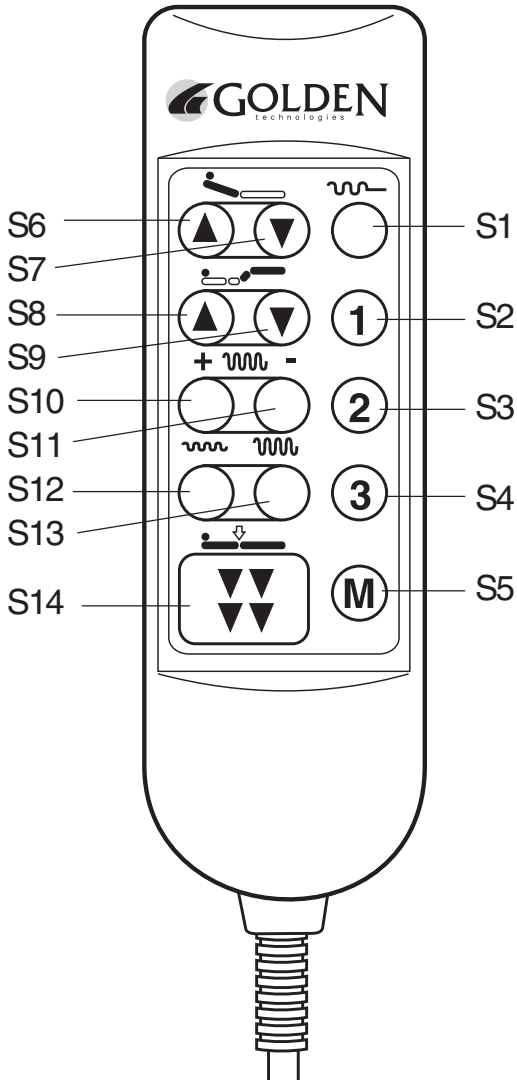
## **MEMORY OPERATION MODEL 4101**

The memory system allows the user to save up to 3 comfort positions and to recall those positions when desired. It is advisable to have one position stored for sleep position.

Programming: Use the position buttons S6 to S9 move the bed to the desired position. Then press the memory button ( S5 ) and within 4 seconds press one of the memory position buttons S2, S3 or S4 which you would like to assign to the current position. Repeat this process to

program the rest of the memory position buttons S2 to S3. You can repeat the process as often as you like, when a new position is programmed the previous position that was stored is canceled.

Recalling the memory position: Select the desired memory position button S2, S3 or S4 and hold down button until bed stops moving, the motors will automatically stop when the bed reaches the stored position.



## **BED OPERATION MODEL 4101-REM**

1. To elevate the head section of the bed, press the head up button, (S7) and hold until the head section of the bed reaches the desired height. Then release the button.
2. To lower the head section of the bed, press the head down button, (S8) and hold until the head section of the bed reaches a flat or any position in between. Then release the button.
3. To raise the foot section of the bed, press the foot up button, (S9) and hold until the foot section reaches the desired height. Then release the button.
4. To lower the foot section of the bed, press the foot down button, (S10) and hold until the foot section of the bed reaches a flat or any position in between. Then release the button.
5. To lower the head and foot section of the bed simultaneously, press the reset button (S14) and hold until the head and foot section of the bed reaches a flat or any position in between. Then release the button.

## **MASSAGE OPERATION MODEL 4101-REM**

Button S4, S5 and S6 control the wave program between the 2 vibrators. Select the one that best suits you.

Button S11 and S12 control the wave intensity of the 2 vibrators (Vibrator motor speed: S11 increases the speed S12 decreases the speed).

Reset button S14 turns massage off.

## **MEMORY OPERATION MODEL 4101-REM**

The memory system allows the user to save up to 3 comfort positions and to recall those positions when desired. It is advisable to have one position stored for sleep position.

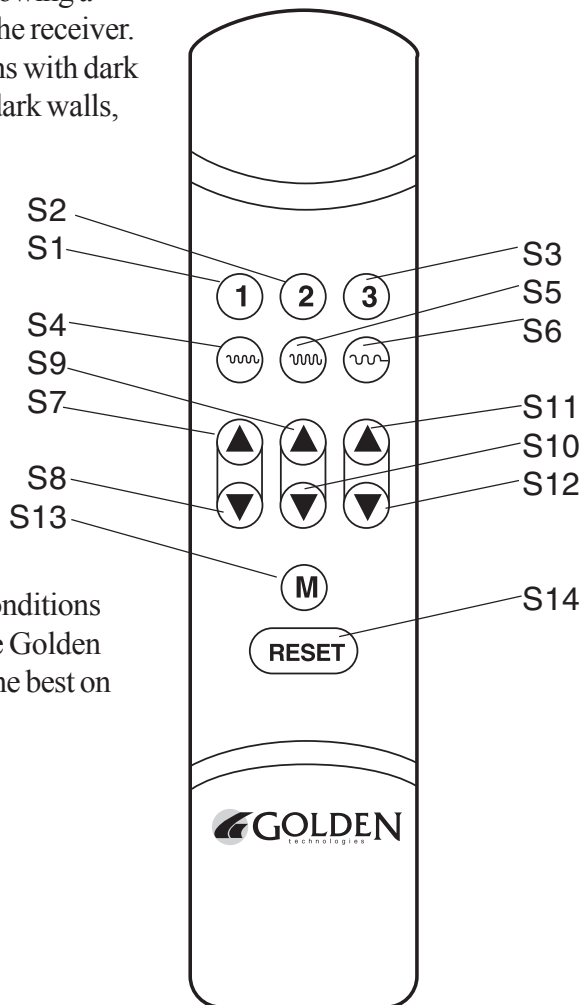
Programming: Use the position buttons S7 to S10 move the bed to the desired position. Then press the memory button ( S13 ) and within 4 seconds press one of the memory position buttons S1, S2 or S3 which you would like to assign to the current position. Repeat this process to program the rest of the memory position buttons S1 to S3. You can repeat the process as often as you like, when a new position is programmed the pervious position that was stored is canceled.



Recalling the memory position: Select the desired memory position button S1, S2 or S3 and hold down button until bed stops moving, the motors will automatically stop when the bed reaches the stored position.

Your Golden infrared transmitter (remote hand control) has 10 years of combined knowledge built in. The transmitter uses 4 LEDs to send the infrared signal out in all directions, (most transmitters use 2 LEDs), bouncing the signal off the walls, ceiling and floor combined with a 9 volt power supply allowing more signal intensity at lower power consumption. The transmitter doesn't need to be pointed directly at the receiver to operate the bed. The signal is sent as a special code and modulated at 36kHz allowing a clearer signal to reach the receiver.

Very large rooms, rooms with dark carpeting, rooms with dark walls, the number of windows in room, the number of lights in a room can dissipate some of the signal before it reaches the receiver. Of course as with all remote controls we can not guaranty it will work has well as a wired hand control do to the many room conditions they are used in, but the Golden infrared transmitter is the best on the market today.



## **INFRARED RECEIVER SET UP AND FUNCTION MODEL 4101-REM**

Your infrared receiver needs to be free of obstructions so it can see the signal from the remote hand control. We recommend placing it on the side of the headboard or on the wall by the headboard 18 inches off the floor, there is double sided tape attached to the back of the receiver.

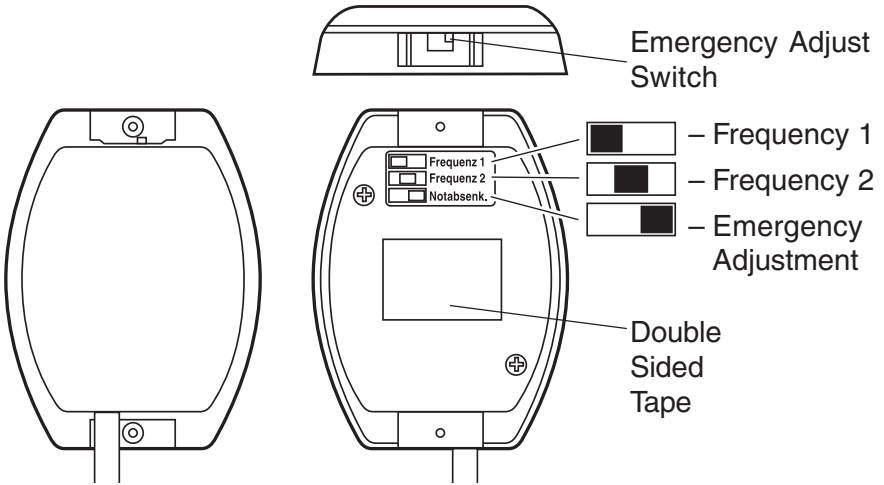
Do not place the receiver on the floor it may get obstructed or damaged by persons stepping on it or vacuuming around the bed.

Your infrared receiver has an emergency adjust switch on it, in the advent of a power failure or the battery runs out in the remote, move the position of the switch to the emergency adjust position (as shown) and the bed will return automatically to a flat sleep position. If you should ever need to use the emergency adjust switch, you will need to reset the switch when power is restored or the battery has been changed in the remote hand control. The frequency of the receiver must match the frequency of the remote hand control for the bed to operate. Open the battery compartment on the hand control and see what frequency it is set to (frequency 1 or frequency 2) close battery compartment, move the emergency adjust switch to the same frequency as the hand control (frequency 1 or frequency 2) as shown, your bed will now operate normally.

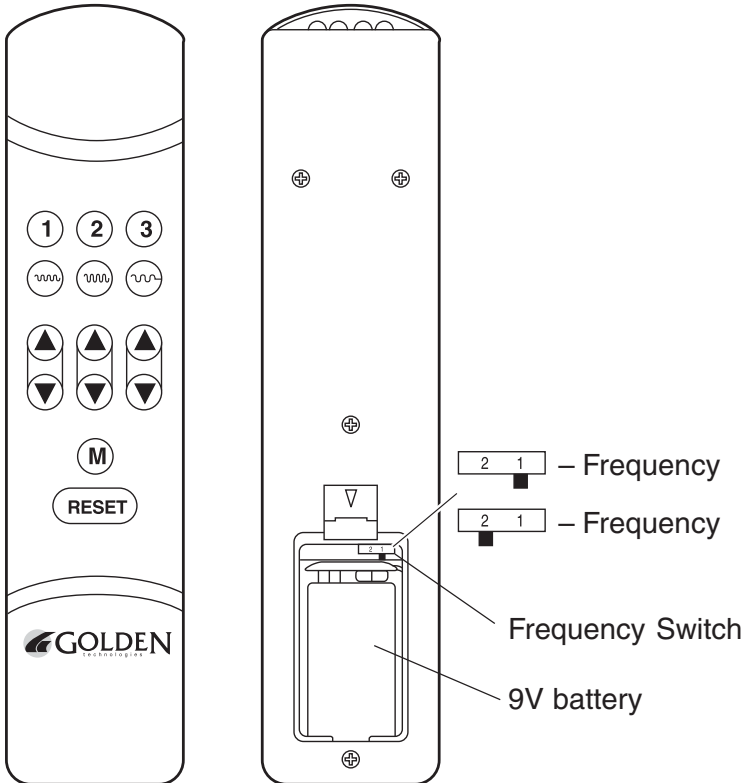
## **FREQUENCY ADJUSTMENT MODEL 4101K- REM SERIES (SPLIT KING)**

On this model bed (split King) there are 2 remote hand controls and 2 infrared receivers this allows each half of a split king to operate independently of each other. The receiver set up, function and emergency adjust work the same as listed above. In the advent you ever should use the emergency adjust you will need to reset the switch on the receiver, follow the instruction above. When resetting the switch, one remote and one receiver must be set to frequency 1 and the other remote and receiver must be set to frequency 2 for the beds to operate independently, if both remotes and receivers are set to the same frequency both beds will operate at the same time when either of the remote hand controls are used.

# INFRARED RECEIVER SET UP AND FUNCTION MODEL 4101-REM



# REMOTE HAND CONTROL MODEL 4101-REM



## BATTERY BACK UP INSTALLATION

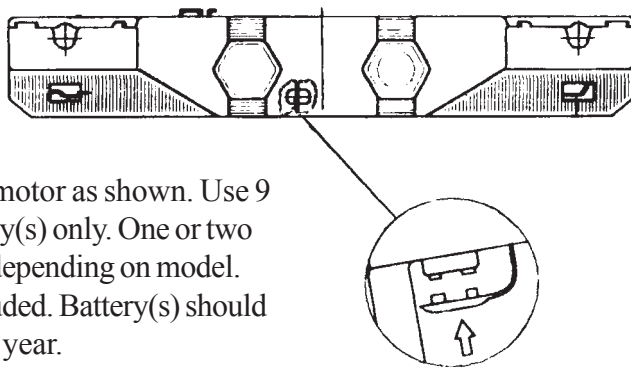
### MODELS 4101, 4101-REM

Your motorized adjustable bed comes with a battery back up system so the bed can be put into a flat sleep position in the event of a power failure. The battery(s) have enough energy to lower the bed to a flat sleep position. The battery(s) do not have enough energy nor are they intended to be used to operate the bed for a prolonged period of time in the absence of standard household voltage (120 volt, 60 cycle).

Battery(s) should be replaced after one use and should be checked regularly.

Connect the battery(s) to the terminal and slide battery(s) into

holder on the bed motor as shown. Use 9 Volt alkaline battery(s) only. One or two batteries required depending on model. Battery(s) not included. Battery(s) should be changed once a year.

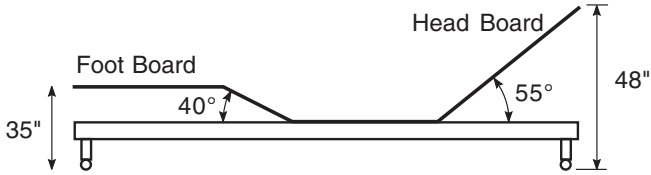


BATTERY BACKUP

## MATTRESS CONSTRUCTION

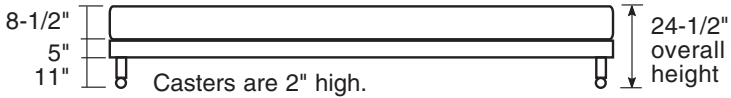
Golden Deluxe, no-flip quilted mattress featuring 1 ½" Ultra Quilting, two layers of ¾" high density foam, a posture center, edge guards, and easy to clean ticking available in fresh flower print.

Golden Premium, no-flip quilted mattress featuring 1 ½" Ultra Quilting, one layer of 1 ½" Visco foam, one layer of ¾" high density foam, posture center, edge guards, and soft Ivory ticking.

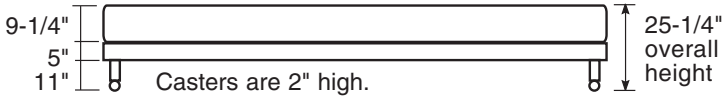


Measurements are shown from the floor to the bottom of the wood deck with the head and foot fully raised.

#### DELUXE MATTRESS



#### PREMIUM MATTRESS



Measurements for mattress are taken by placing a level across the mattress and measuring from the top of the base to the bottom edge of the level.

### MATTRESS SPECIFICATIONS

MATTRESS	DELUXE	PREMIUM
QUILT PATTERN	12" ON CENTER	12" ON CENTER
ULTRA QUILT LAYER 1	1-1/2" ULTRA QUILT	1-1/2" ULTRA QUILT
FOAM SUPPORT LAYER 2	3/4" HIGH DENSITY FOAM	1-1/2" VISCO FOAM
FOAM SUPPORT LAYER 3	3/4" HIGH DENSITY FOAM	3/4" HIGH DENSITY FOAM
POSTURE CENTER LAYER 4	YES	YES
EDGE GUARDS	YES	YES
COVER PATTERN	FLORAL	IVORY

	SIZE	COIL COUNT
TWIN	38" X 80"	234
FULL	54" X 80"	338
QUEEN	60" X 80"	390
DUAL KING	76" X 80"	568

NOTE DUAL KING CONSISTS OF 2 TWIN MATTRESSES

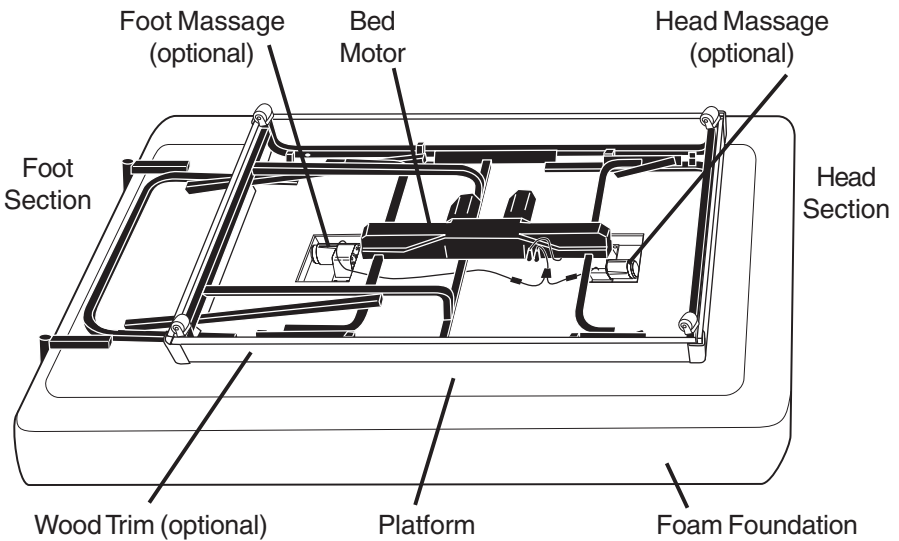
### BASE SPECIFICATIONS

MODEL	3101	4101
MESSAGE SYSTEM	NO	YES
WOOD SKIRTING	NO	YES
HEADBOARD BRACKETS	1 SET STANDARD	1 SET STANDARD
FOOTBOARD BRACKETS	OPTION	OPTION
HALF LENGTH RAILS	OPTION	OPTION
BED RISERS 2"-6"	OPTION	OPTION
WIRELESS REMOTE SYSTEM	NO	OPTION

## MODEL AND PARTS IDENTIFICATION

Regular servicing is not necessary. Should you ever encounter a problem in the operation of your motorized adjustable bed, discontinue all use of product upon discovery of problem. Contact the dealer from whom you purchased your bed from, they will be able to resolve problems and take care of proper factory service if needed. Use the illustration that appears below as an aid in discussing suspected problems with the dealer.

The model number and serial number of the bed can be found at the foot end of the bed, model 3101 the serial tag is affixed to the bed metal frame, model 4101,4101-REM the serial tag is affixed to the wood trim at the foot end of the bed.







PLACE  
STAMP  
HERE

GOLDEN TECHNOLOGIES  
401 BRIDGE ST  
OLD FORGE PA 18518-2323

