

Pro Pool-XR Lift

PART #: F-004PLB-XR (with anchor)
PART #: F-004PLB-XRNA (without anchor)

US PATENT NUMBER: [D507,769 S] [7,249,386 B2]
350 LB. [159 kg] MAXIMUM WEIGHT CAPACITY

MANDATORY – LEAVE THIS MANUAL WITH LIFT OWNER



Read & follow all instructions
Lift safety can only be ensured if the lift is installed and operated according to these instructions



NEVER permit children to play on or around the lift
Do not allow children to use the lift without adult supervision



NEVER apply direct water pressure to the electronics



NEVER use the lift with a dry pool



For safety reasons, NEVER swim alone

9889 Garrymore Ln
Missoula, MT 59808
888-687-3552 | +1-406-549-0769
aquacreek.com



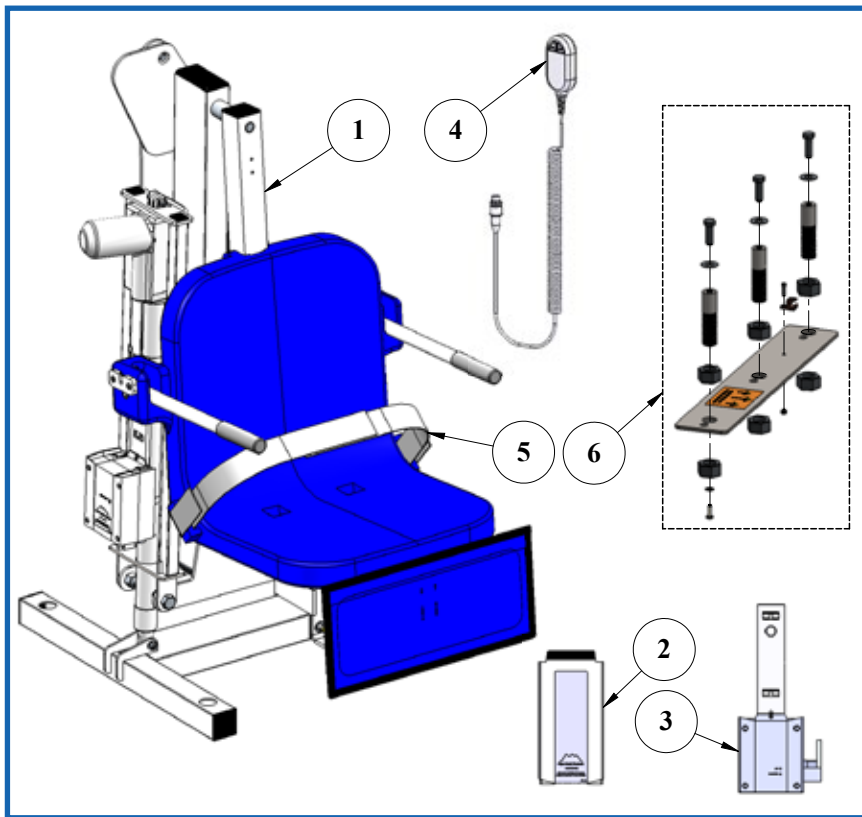
SAVE a copy of these instructions

Pro Pool-XR Lift

Table of Contents

PAGE	DESCRIPTION
3	PRO POOL-XR COMPONENTS
4	ADA INSTALLATION GUIDELINES
5-6	ANCHOR INSTALLATION: CORE-DRILL RETRO-FIT
7	ANCHOR INSTALLATION: SAW-CUT RETRO-FIT
8	ANCHOR INSTALLATION: NEW CONSTRUCTION
9	PRO POOL-XR LIFT ASSEMBLY INSTRUCTIONS
10	BATTERY MAINTENANCE
11	CARE FOR YOUR LIFT
12-13	PRO POOL-XR LIFT OPERATING INSTRUCTIONS
14-15	TROUBLESHOOTING GUIDE
16	PRO POOL-XR PARTS LIST
17	SEAT & ACTUATOR ASSEMBLY PARTS LIST
18	WARRANTY

Pro Pool-XR Pool Lift



1. THE PRO POOL-XR POOL LIFT W/ LEGREST
2. 24V BATTERY
3. BATTERY CHARGER W/MOUNTING BRACKET & POWER CORD
4. HANDSET
5. SAFETY BELT
6. ANCHOR JIG PLATE & HARDWARE (IF ORDERED W/ ANCHOR)

READ CAREFULLY

Check entire box and inside all packing materials for parts. Before beginning assembly read the instructions and identify parts using the figures and parts listed in this document.

It is critical all parts be carefully inspected by the installer prior to installation to ensure no damage occurred in transit and a damaged part is not used. If any damage occurred in transit, Aqua Creek Products LLC must be notified within three days of receipt of unit.

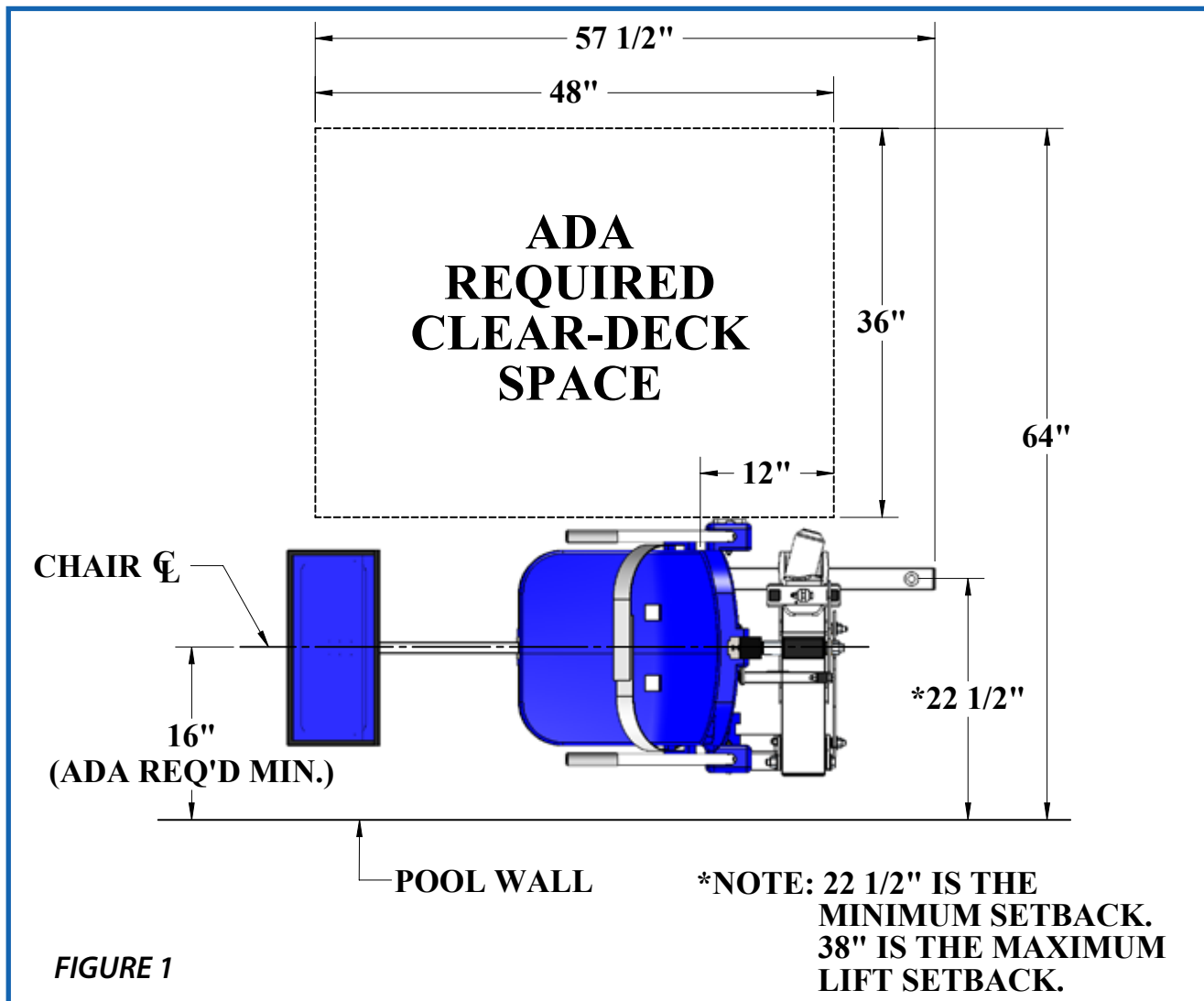
Proper installation cannot be overstressed, as an improper installation voids Aqua Creek's warranty and may affect the safety of the user.

Installation: ADA Requirements

ADA REQUIREMENTS:

The Pro Pool-XR Lift is completely ADA Compliant when installed correctly. The installation must meet the following requirements:

- Clear Deck Space Dimensions (see FIGURE 1)
- Lift anchors installed between 22 1/2" - 38" from the pool edge
- Deck slope no greater than 1:48
- The seat must go at least 18" into the water. The lift should be installed at a location with a water depth of 42"-48" (deck to pool floor)
- Anchor setbacks are based on straight pool/spa walls. Curved pool/spa walls will effect the anchor setback. Contact Aqua Creek for assistance



Anchor Installation: Core-drill Retro-fit

NOTE: FOR DECKS 6" THICK OR MORE, 2500PSI MINIMUM STRENGTH CONCRETE REQUIRED

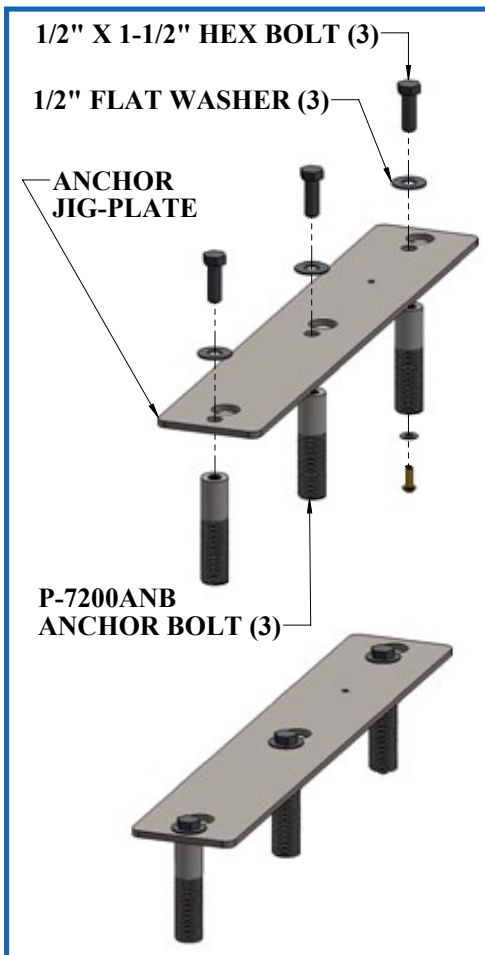
Required Tools:

Core drill and 1 1/2" core drill bit
Marking pen
Cold chisel
Masking tape
Black electrical tape (optional)

Tape measure
Hammer
Torpedo level
High strength 2-part construction epoxy*

*Aqua Creek recommends either Hilti™ Brand HIT RE-500-SD or Simpson™ brand SET-XP or equivalent (not included)

1. Locate the anchor jig-plate, and three (3) anchor bolts with mounting hardware. (If sold separately from lift, part number F-910SAJP).
2. Using the larger holes in the anchor jig-plate as a template, mark the three hole locations with a marking pen on the pool deck. Verify the **CENTER LINE OF THE ANCHORS** are no more than 38 inches from the pools edge. See FIGURE 1, page 4.
3. Using the core drill and the 1 1/2" core drill bit, drill out the three hole locations marked on the pool deck to a depth of about 4 1/2".



- a. NOTE: Use black electrical tape on the end of the drill bit as a visual marker to indicate the proper depth needed to drill to.
 - b. NOTE: Depending on local grounding requirements, one hole may need to be drilled larger than the others so at least one of the anchor inserts is grounded. One anchor insert is provided with a bonding screw to assist with this step. In some cases saw cutting a portion of the deck out completely might be required. In this case, follow the "Saw Cutting Retro-Fit Instructions".
4. Remove the core from the holes using a hammer and chisel. The holes should be completely dry and clear of any debris before installing the anchors into them.
 5. Remove the nuts from the threaded anchor bolts and the black protective cover from the end of the anchor bolt, exposing the internal threads that will accept the mounting hardware.
 6. Using the smaller holes in the anchor jig-plate, thread the mounting hardware through the anchor jig-plate holes and into the ends of the three anchor bolts so the tops of the bolts are flush with the **BOTTOM** of the jig-plate (see diagram on left). **IMPORTANT:** Use the enclosed packet of anti-seize lube on the threads of the hardware to prevent the hardware from seizing in the anchor inserts.

continued on page 6

a. *NOTE: It is recommended to apply tape to the bottom of the anchor plate around the holes so when the epoxy oozes out of the holes it does not secure the anchor plate to the pool deck.*

7. Allow for a way to bond at least one of the anchor inserts according to your local code requirements. This is typically accomplished with 8-AWG solid-copper wire attached to the pool's bonding grid. For more information see NEC Article 680.26.
8. Before putting epoxy into the holes and setting the anchor inserts, test fit the anchor inserts in the pre-drilled holes first to make sure they line up properly. Pick up the anchor plate with the three (3) anchor bolts attached to the underside and carefully place them into the three holes drilled in the deck. Using a torpedo level on the plate, verify the anchor system is level. If they do not line up you may have to enlarge your holes.
9. After verifying the anchor inserts line up with the holes properly and the anchor assembly is level, remove the anchor assembly and fill each hole in the pool deck at least half full of two part construction epoxy (not included). *Aqua Creek recommends either Hilti™ Brand RE-500-SD or an alternative approved adhesive.*
10. Pick up the anchor assembly with the three (3) anchor bolts attached to the underside and carefully place them into the holes drilled in the deck. When placing the anchor bolts attached to the anchor plate, wiggle the jig-plate assembly a little to make sure the epoxy gets on all sides of the anchor bolts.
11. Once the anchor bolts are placed into the holes, use a small torpedo level on the anchor plate to make sure they are level and perpendicular.

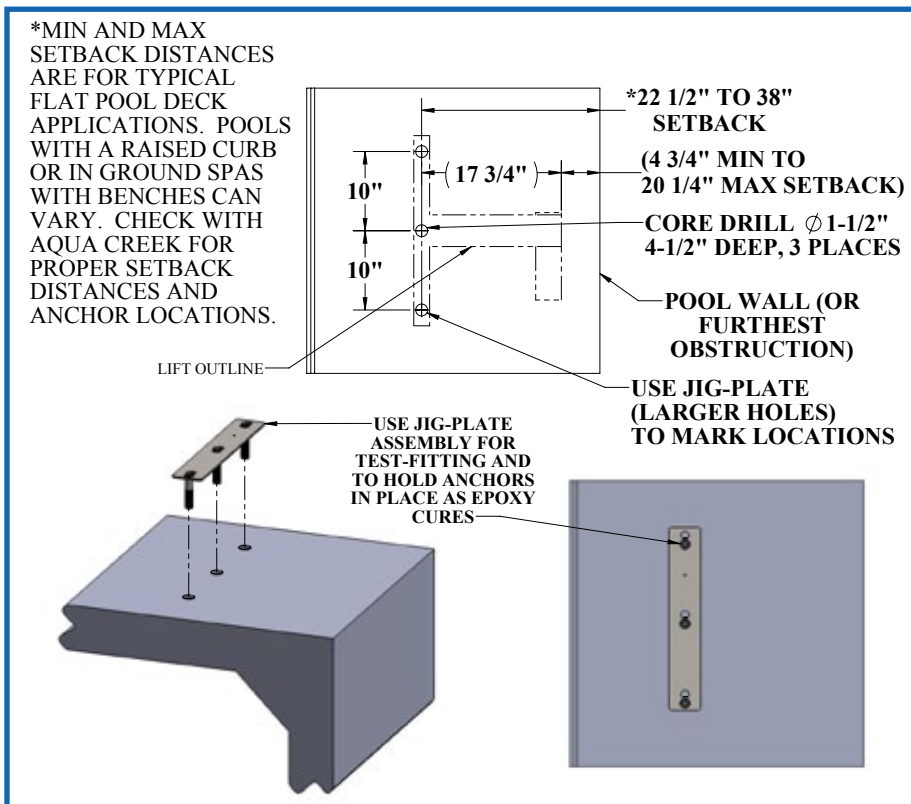


FIGURE 4

12. Allow the epoxy to set up according to the manufacturer's recommendations and remove the hardware and the anchor jig-plate. The lift can now safely mount to the anchors using the same hardware used to mount the anchor inserts to the underside of the anchor jig-plate. The anchor jig-plate can be recycled or used for installing a second set of anchors in another location.

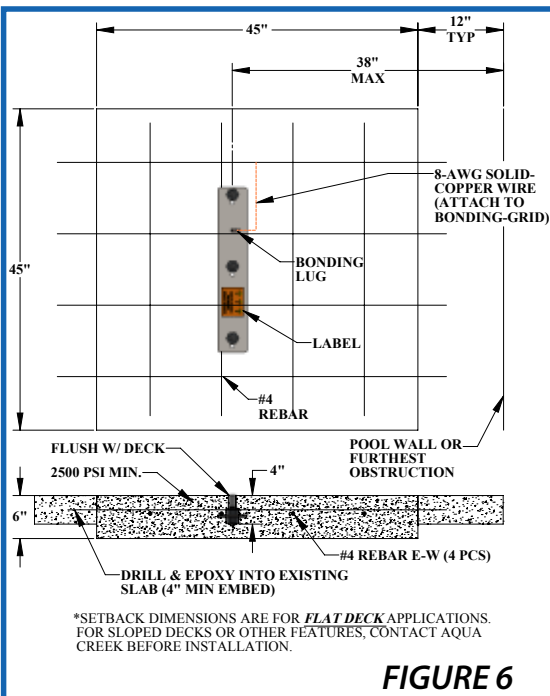
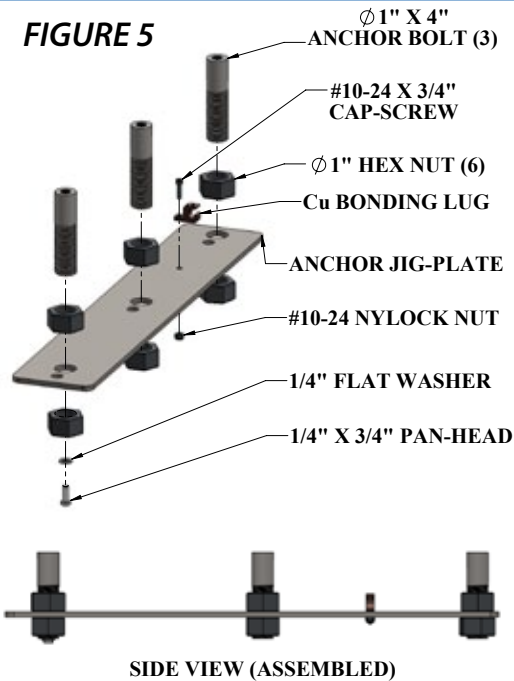
Anchor Installation: Saw-cut Retro-fit

Required Tools:

- Concrete saw with diamond blade
- Tape measure
- 4' long straight edge or chalk line
- Sledge hammer
- Cold chisel
- Torpedo level
- String line
- Concrete and concrete tools
- #4 Rebar

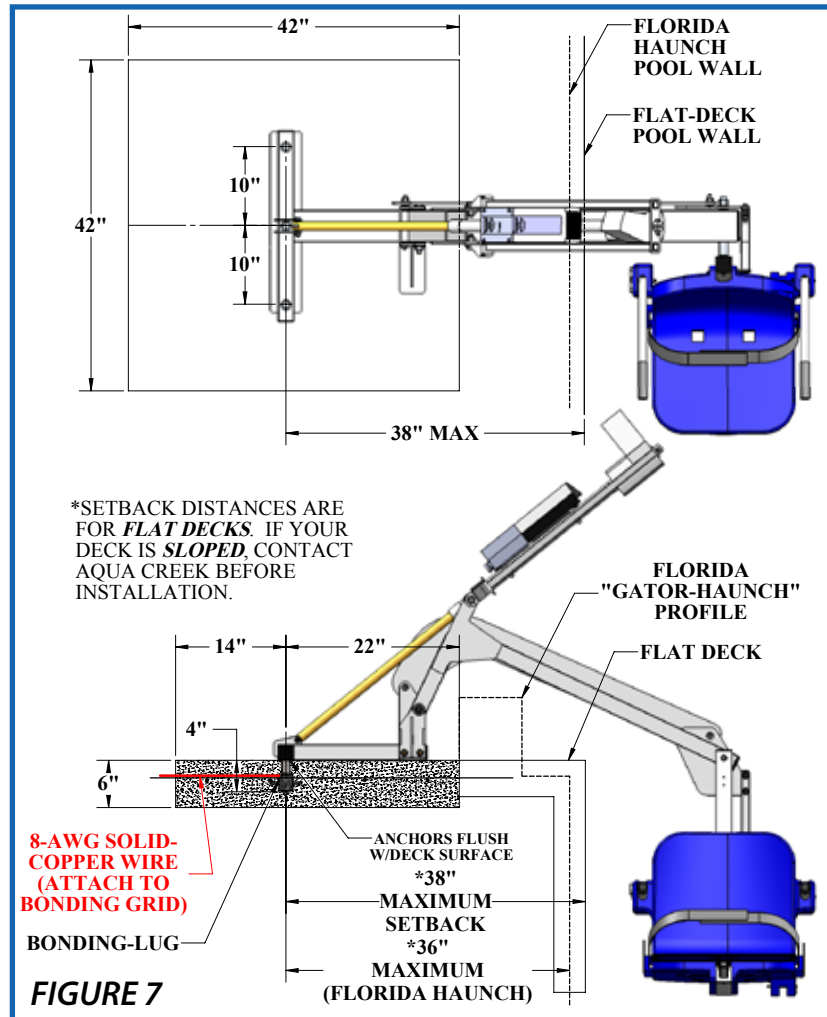
1. Locate the anchor plate, three (3) anchor inserts with nuts and mounting hardware). (If sold separately from lift, part number F-910SAJP).
2. Mark out a section of the pool deck to be removed using a chalk line or straight edge and a marker. Plan on removing at least a 3'-9" x 3'-9" x 6" section.
3. Using the saw with the diamond blade, make cuts along the lines previously marked.
4. Using the sledge hammer, break up the concrete within the area cut and remove the pieces.
5. After the portion of the deck has been removed, verify the new deck will be able to be at least 6 inches deep.
6. Remove ONE of the nuts from each of the anchor inserts and place the anchor inserts through the larger holes in the anchor plate. Thread the nut back on the other side of the anchor insert so the anchor plate is sandwiched between the nuts. (See FIG 5).
7. Install rebar in the open area of the deck. Tie the rebar into the existing deck if possible.
8. Set the anchor system in place making sure the **center line of the anchor inserts** are no more than 38 inches away from the pool's edge.
9. Use the string line or a straight edge to make sure the top of each anchor bolt is level and flush with the FINISHED deck surface. Each anchor bolt can be adjusted individually by turning the nuts with a large wrench.
10. Bond the anchor system using the bonding lug on the anchor jig-plate. The anchor should be bonded to the pool's bonding-grid according to local code requirements. (Reference NEC Article 680.26).
11. Pour concrete and finish the pool deck surface.
12. Once the concrete has cured, install the lift by aligning the holes in the lifts base with the anchors installed in the deck. Secure the lift to the deck using the stainless steel hardware provided. Be sure to use anti-seize on all hardware.

FIGURE 5



Anchor Installation: New Construction

For new pool deck installations, the footing for the pool lift should be at least 3'-6" x 3'-6" x 6" deep. It should be reinforced with one mat of four (4) #4 reinforcing bars (rebar) that are 2" clear from the top of the new pour. (Reinforcing mesh can be used instead of rebar - check the local code requirements. See drawing below).



The footing for the lift should be tied into the rest of the pool deck on three sides with the rebar or reinforcing mesh. (Do not tie into the bond beam). The rest of the pool deck can be a typical 4" thick or thickened per local code requirements. Bond rebar or reinforcing mesh grid according to local requirements and also bond the anchor system to the rebar/mesh grid.

Pro Pool-XR Assembly Instructions

1. Attach seat belt to the seat as shown.

2. Install the Pro Pool-XR pool lift onto the three (3) anchors using the supplied 1/2 x 1-1/2" stainless steel hex bolts and 1/2" stainless steel flat washers. Apply anti-seize to all hardware to prevent lift from seizing in the anchor. Make sure all bolts are tight before using the lift.



3. Apply dielectric grease to the plug terminals.

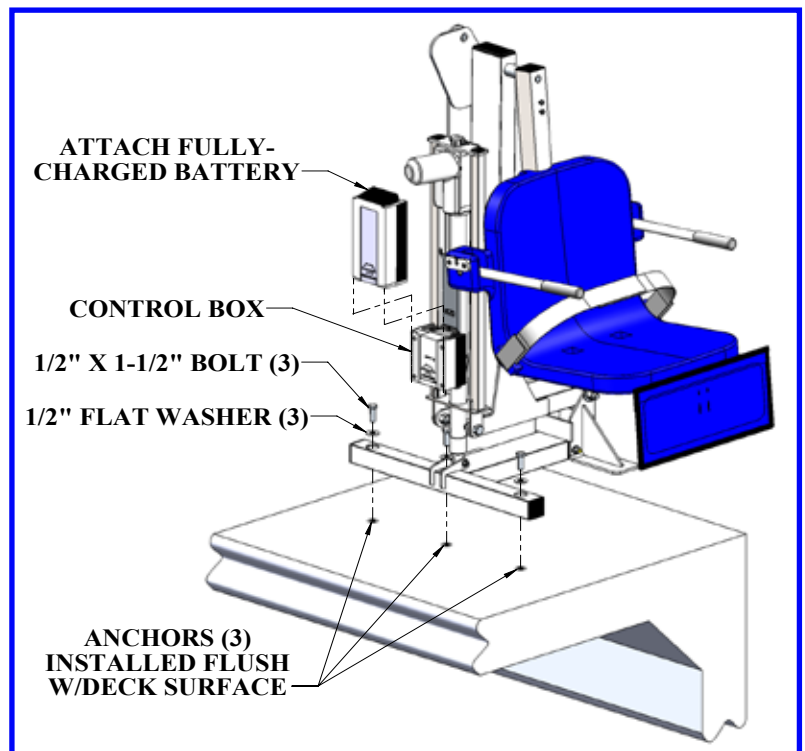
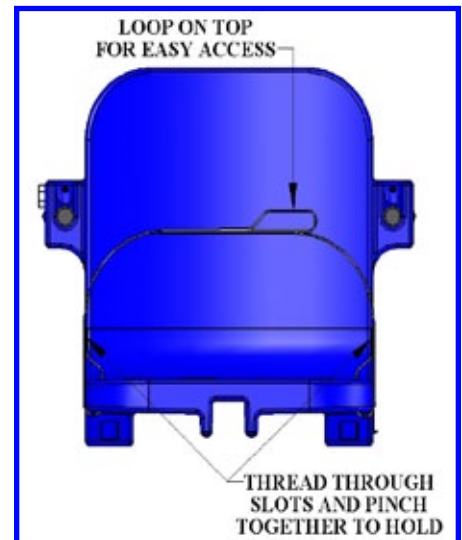
Plug the handset cable into the large handset socket on the bottom of the control box. Press the cord end firmly into the socket until it is all the way recessed into the socket. Failure to fully push the remote cord into the socket may result in faulty or interrupted operation.

4. Before installing the battery, place it on the charging unit and let it charge for 24 hours. Make sure the orange

“charge” light illuminates when the battery is being charged.

5. Remove the fully-charged battery from the charger, grease the terminals, and install it on top of the Control Box. The battery will line up square with the control box, and will ‘click’ when it locks in place properly. The lift will only operate when the battery is mounted properly.

WHEN NOT IN USE STORE THE BATTERY ON THE CHARGER. DO NOT LEAVE THE BATTERY ON THE LIFT WHEN NOT IN USE!



Battery Maintenance

- 1. RECHARGE THE BATTERY AS OFTEN AS POSSIBLE.** The battery power unit is a sealed lead acid battery pack. Frequent recharges will prolong the battery life and maintain a high cold amperage capacity. **THE BATTERY SHOULD BE STORED ON THE CHARGER WHEN NOT IN USE.**
- 2. Do NOT** expose the battery to freezing temperatures.
- 3. Do NOT** expose the battery to prolonged periods of extreme heat or severe cold temperatures.
- 4. Do NOT** expose the battery to long periods of direct sunlight. Heat will shorten your battery life. Optimum operating temperature is below 20 degrees Celsius (68 degrees F.)
- 5. Never** drop or bump the battery pack. This may result in loose or damaged internal connections, and may damage the battery terminals.
- 6. Keep** battery terminals clean and free from dirt and corrosion to ensure good contact. The terminals may be cleaned using alcohol and a cotton swab. Clean off any corrosion or discoloration of the battery contacts with a Scotch Bright™ pad and then apply dielectric grease (supplied with lift) as shown in the figure below.



Clean with alcohol and a cotton swab and apply dielectric grease to terminals

Proper Care of Pool & Spa Lifts

PROCEDURE	DAILY	WEEKLY	MONTHLY
Wash down lift with fresh water and dry with clean, soft, non-abrasive cloth	✓		
Recharge battery	✓		
Run the lift through a complete test cycle to verify it is functioning properly	✓		
Visually inspect lift for damage, corrosion, and loose or missing hardware	✓		
Check all contact points for damage and/or corrosion		✓	
Repair, clean, and apply dielectric grease to all contact points		✓	
Thoroughly clean lift frame and apply a liberal coat of car wax to maintain the lift's finish			✓
Check all Warning and Cautionary labels to make sure they are not faded or worn. Replace as needed.			✓

PROPER CARE NOTES

- **Use only fresh water to wash your lift. Do not wash with pool water**
- Use only clean, soft, non-abrasive cloths to wipe down your lift
- Do not store lift in pump room or near chemicals
- Do not allow children to play on or around this lift
- When cleaning the lift do not spray water directly on control box or battery
- The lift may need to be bonded according to local code requirements

STAIN REMOVAL TIPS:

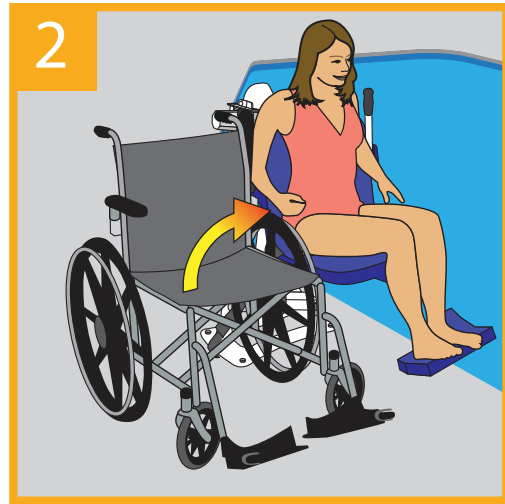
To remove stains wash affected area with mild dish soap. For stubborn spots and stains try using soft scrub with some brisk rubbing. Use white epoxy paint to touch up. Apply wax to finish.

For service and/or replacement parts contact Aqua Creek Direct at
Toll free: (888) 687-3552

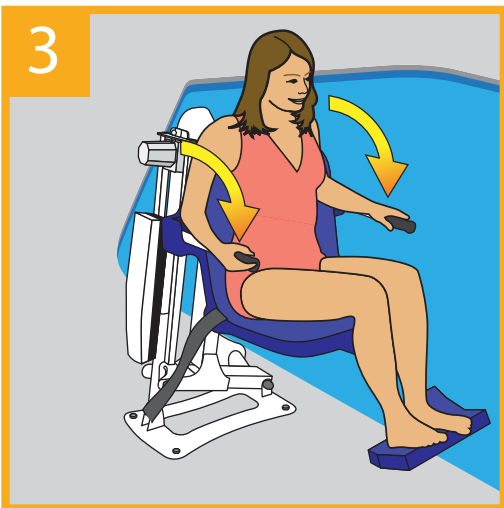
Pro Pool-XR Operation Instructions



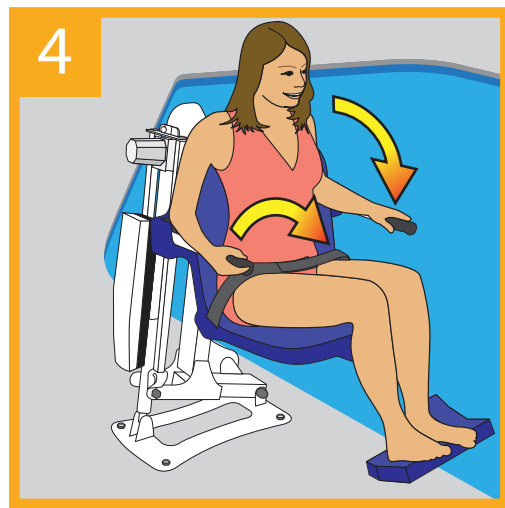
Flip Up Armrests



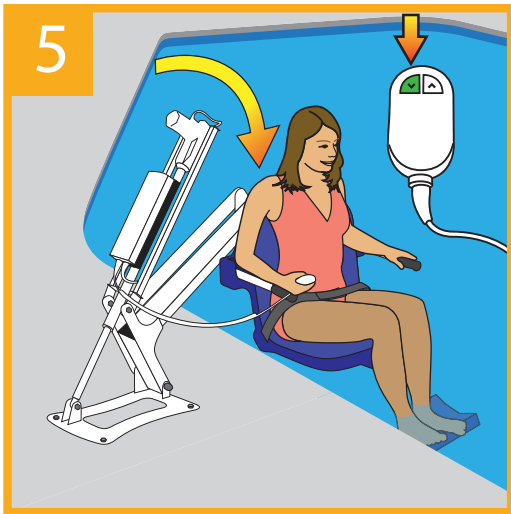
Transfer to Lift



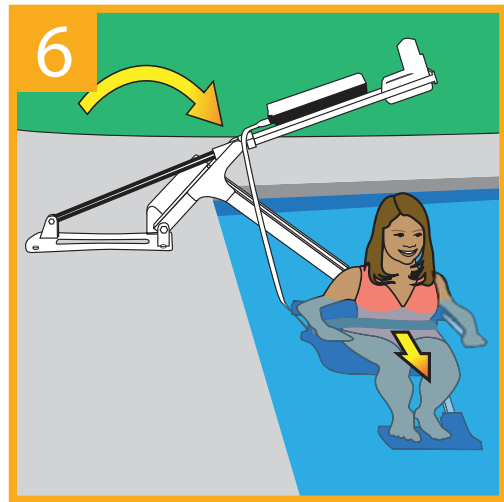
Lower Armrests



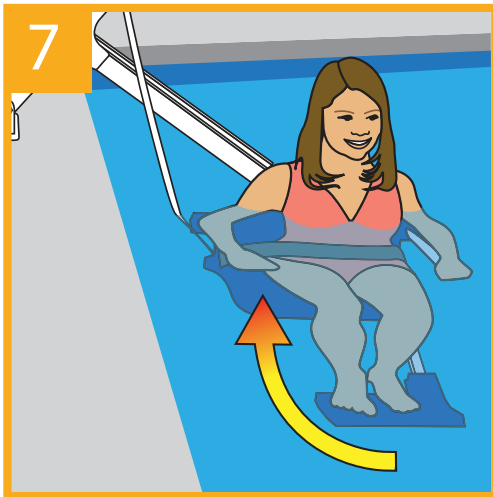
Secure Lapbelt



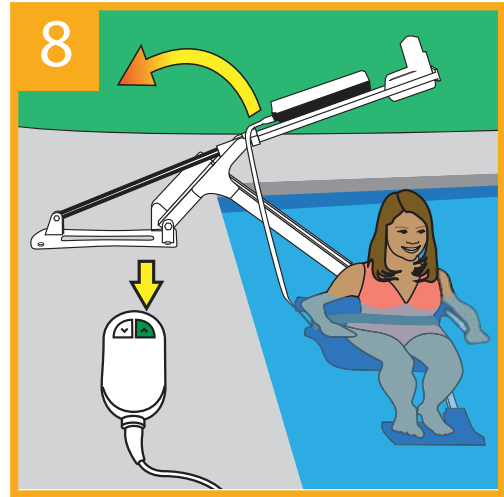
Lower Lift by Applying Pressure to the Down Arrow



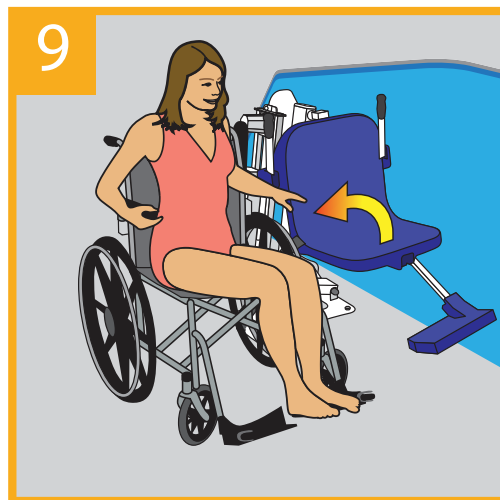
Release Pressure from Button to Stop, Then Release Lapbelt



Return to Submerged Lift Seat & Secure Lapbelt



Raise Lift by Applying Pressure to the Up Arrow



Release Lapbelt, Raise Armrests, & Exit Lift Seat

Troubleshooting Guide

Problem: The lift won't move when the handset button is pressed.

Solution:

1) Make sure the Battery is properly seated:

You should hear a click when the battery is properly seated on the control box or charger.



NOT Properly Attached:
Note: the white bracket is in front of the silver clip, which will not allow for an electrical connection



Properly Attached:
Note: the white bracket is behind the silver clip, holding it securely to allow for an electrical connection

2) Make sure the cords are properly plugged in:



NOT Properly Inserted:
The cord plug is flush with or sticking out of the outlet

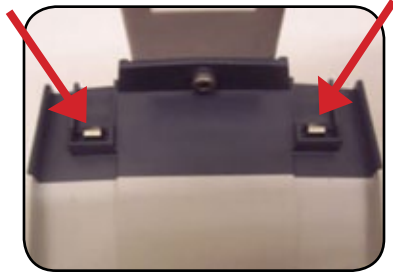


Properly Inserted:
The cord plug is recessed into the outlet

Check the ends of the cords for corrosion or damage. The cord plugs should be recessed into the outlet. You should feel them pop into place when they are correctly inserted.

Troubleshooting Guide (CONTINUED)

3) Check the contact points:



Make sure the contact points of the control box and the battery are not damaged or corroded. If there is corrosion, clean with Scotch-Brite™ pad. Put some dielectric grease on the contact points before reattaching the battery.

4) Make sure the Battery is fully charged:



The Charger is ON when the green light is glowing



The Battery is CHARGING when the orange light is glowing



When the Battery is charged, the orange light will stop glowing

Problem: The lift stopped moving over the water and is stuck.

Solution:

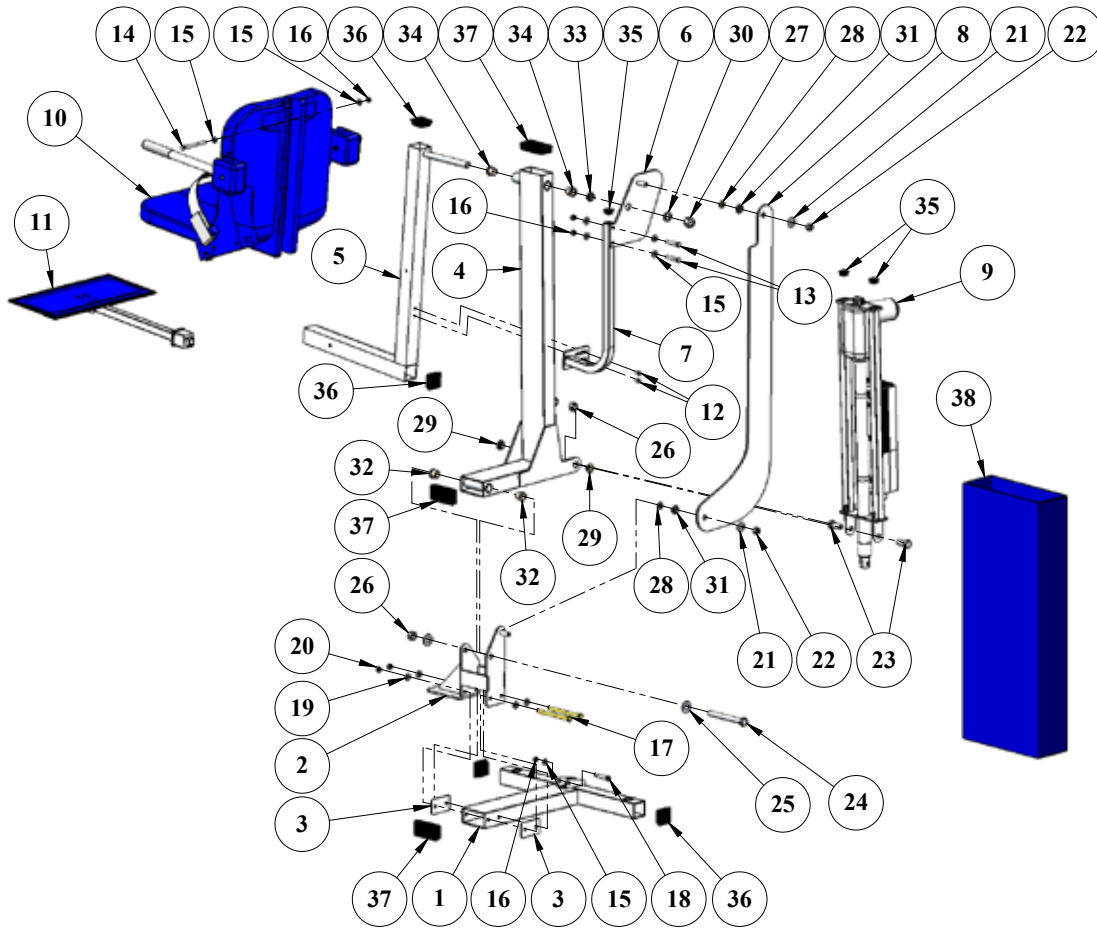
1) Press the Emergency button

Use a pen or pencil tip and stick it into the emergency button on the front of the control box to retract the lift.

Note: the lift will not retract if the battery is not fully charged or if the control box is not working. The emergency button only overrides the remote handset.



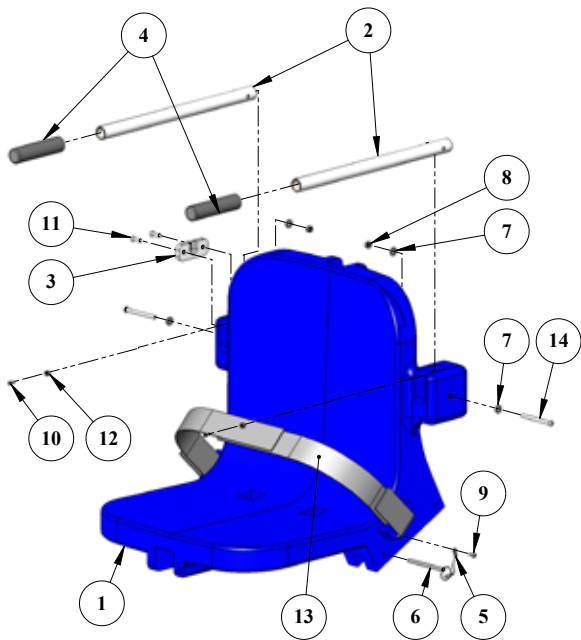
Pro Pool-XR Parts List



Item #	QTY	PART #	DESCRIPTION
1	1	STL-10A-10	PP-XR T-BASE ASSEMBLY
2	1	STL-10B-10	PP-XR B-BASE ASSEMBLY
3	2	STL-111-01	PP-XR BASE SPACER PLATE
4	1	STL-200-00	PP-XR FRAME ASSEMBLY
5	1	A-2012ARM-STL	PP-XR CHAIR CRADLE ASSEMBLY
6	1	STL-WMA-00	PP-XR SEAT SUPPORT PART A
7	1	STL-WMB-00	PP-XR SEAT SUPPORT PART B
8	1	L-2014FBL-STL	PP-XR CONTROL ARM
9	1	A-8980PPAF-AT2	PRO POOL ACTUATOR ASSEMBLY
10	1	SA-0904CA	18" CHAIR ASSEMBLY
11	1	F-105LAR	LEGREST ASSEMBLY
12	2	BOLT, 1/4 X 3/4 HWH, SS	1/4"-20 X 3/4" HEX WASHER-HD, SS
13	2	BOLT, 5/16 X 2 HCS	5/16"-18 X 2" HEX BOLT, SS
14	2	BOLT, 5/16 X 4 HCS	5/16"-18 X 4" HEX BOLT, SS
15	9	FLAT WASHER, 5/16 SS	5/16" FLAT WASHER, SS
16	5	NYLOCK, 5/16 SS	5/16"-18 NYLOCK NUT, SS
17	2	BOLT, 3/8 X 5 1/2 HCS	3/8"-16 X 5 1/2" HEX BOLT, SS
18	1	BOLT, 3/8 X 1 3/4 SHOULDER	3/8" X 1 3/4" SHOULDER BOLT, SS
19	4	FLAT WASHER, 3/8 SS	3/8" FLAT WASHER, SS

Item #	QTY	PART #	DESCRIPTION
20	2	NYLOCK, 3/8 SS	3/8"-16 NYLOCK NUT, SS
21	2	FLAT WASHER, 1/2 SS	1/2" FLAT WASHER, SS
22	2	NYLOCK, 1/2 SS	1/2"-13 NYLOCK NUT, SS
23	2	BOLT, 5/8 X 1 1/2 HCS	5/8"-11 X 1 1/2" HEX BOLT, SS
24	1	BOLT, 5/8 X 6 HCS	5/8"-11 X 6" HEX BOLT, CUSTOM
25	2	FLAT WASHER, 5/8 SS	5/8" FLAT WASHER, SS
26	3	NYLOCK, 5/8 SS	5/8"-11 NYLOCK NUT, SS
27	1	NYLOCK, 3/4 SS	3/4"-10 NYLOCK NUT, SS
28	2	TT-1001-1	7/8" X 1/2" X 1/8" THRST WSHR, SS
29	2	MACH-BUSHING, 7/8 X 5/8 X 1/4	5/8" X 7/8" X 1/4" CUSTOM BUSHING
30	1	TT-1205-1	1 1/4" X 3/4" X 1/8" THRST WSHR, BZ
31	2	FL-50-3	1/2" X 5/8" X 3/8" FLNG BRNG, BZ
32	2	FL-64-6	5/8" X 7/8" X 3/4" FLNG BRNG, BZ
33	1	MACH-BUSHING 7/8 X 3/4 X 1/4	3/4" X 7/8" X 1/4" CUSTOM BUSHING
34	2	FL-75-6	3/4" X 7/8" X 3/4" FLNG BRNG, BZ
35	3	SQR-1-14-20	1" SQUARE PLASTIC CAP, BLACK
36	4	SQR-2-10-14	2" SQUARE PLASTIC CAP, BLACK
37	3	RER50X100MM	2" X 4" RECT. PLASTIC CAP, BLACK
38	1	F-045AC	WATER RESISTANT ACTUATOR CVR

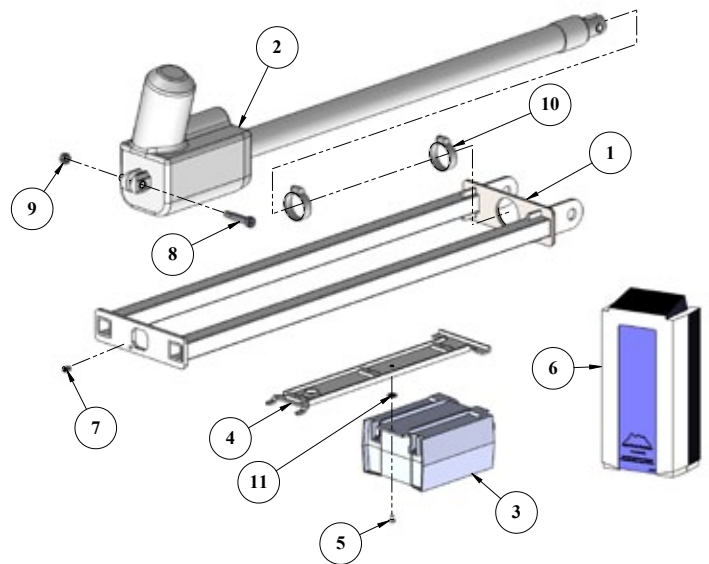
Seat Assembly Parts List



ITEM #	QTY	PART #	DESCRIPTION
1	1	P-900-B	CHAIR, 1ST MOLD (OLD), BLUE
2	2	P-2100FLA-88	ARMREST TUBE
3	1	P-1208HSB	HANDSET BRACKET, HDPE
4	2	RUBBER HAND GRIPS	RUBBER HAND GRIPS, BLACK
5	1	LANYARD	SS LANYARD FOR FOOTREST PIN
6	1	COTTER PIN, 1/4 X 3 1/4	1/4" X 3 1/4" QUICK-PULL PIN FOR FOOTREST
7	4	FLAT WASHER, 1/4 SS	1/4" FLAT WASHER, SS
8	2	NYLOCK, 1/4 SS	1/4"-20 NYLOCK NUT, SS
9	1	SCREW, #10 X 3/4 PHSMS	#10 X 3/4" PAN-HD SMS, SS
10	2	SCREW, #6 X 1/2 PHSMS	#6 X 1/2" PAN-HD SMS, SS
11	2	SCREW, #12 X 3/4 FHMS	#12 X 3/4" FLAT-HD SMS, SS
12	2	RUBBER BUMPER, 3/8	3/8" RUBBER BUMPER, BLACK
13	2	F-38SB	SEAT BELT 2" BLACK WITH VELCRO
14	2	BOLT, 1/4 X 3 1/4 BHSCS	1/4"-20 X 3 1/4" BUTTON-HD SCS, SS

Actuator Assembly Parts List

Item #	QTY	PART #	DESCRIPTION
1	1	PFH-100-00	PRO POOL H-FRAME ASSEMBLY
2	1	340461-00	600mm LA-34 ACTUATOR
3	1	CBJ2001NA001381	1-CHANNEL CONTROL BOX
4	1	MBJ2-01	MOUNTING BRACKET, CB/BATTERY
5	1	M5 X 10 LPCS	M5 X 10mm LOW-PRO CAP SCREW
6	1	BAJ100000291	24V BATTERY W/ ACP LOGO
7	1	SET SCREW, 1/4 X 3/8	1/4"-20 X 3/8" SET SCREW, SS
8	1	BOLT, 3/8 X 1 1/4 SHOULDER	3/8" X 1 1/4" SHOULDER BOLT, SS
9	1	NYLOCK, 5/16 SS	5/16"-18 NYLOCK NUT, SS
10	2	HOSE CLAMP, 1 3/4 SS	1 3/4" HOSE CLAMP, SS
11	1	FLAT WASHER, #10 SS	#10 FLAT WASHER, SS



Aqua Creek Products, LLC Limited Lifetime Warranty: **Pro Pool-XR Lift**

Aqua Creek Products lifts have a **Limited Lifetime Warranty** on the frames, not including the powder coat finish. Aqua Creek Products, LLC (a.k.a. Aqua Creek) also warrants to the original end user that all non-frame components manufactured by Aqua Creek, when properly installed in accordance with assembly and installation instructions, and properly used and maintained, shall be free from defects in material and workmanship for a period of five (5) years from the date of original purchase, provided that Aqua Creek receives prompt notice in writing of any defect or failure and satisfactory proof thereof, with the following exceptions:

Exception: All electrical components, including the linear actuator shall have the following warranty period:

Year 1-2: 100% Coverage

Year 3: 60% Coverage (Customer is responsible for 40% of replacement cost)

Year 4: 50% Coverage (Customer is responsible for 50% of replacement cost)

Year 5: 40% Coverage (Customer is responsible for 60% of replacement cost)

This warranty specifically excludes reimbursement for labor to remove, repair, or install the product and any return freight charges. These warranties do not cover any damages due to accident, misuse, abuse, negligence or failure to properly maintain any products, or normal wear and tear from day to day operations. In the event that any products are altered, repaired, or improperly installed or improperly used by anyone without the prior written approval by Aqua Creek, all warranties are void. **IMPORTANT: AMOUNT OF WEIGHT PLACED ON LIFT SHALL NOT EXCEED THE RATED LIFTING CAPACITY FOR THE LIFT. NEVER OPERATE THE LIFT UNDER LOAD IN A DRY POOL (WITH NO WATER IN THE POOL).** It is the responsibility of the lift owner to verify the weight of the patron for warranty claim purposes and to ensure that the lift is not overloaded.

To initiate a warranty claim, the owner of an Aqua Creek product must provide the place of purchase, in writing, with a full description of the product, its serial number, the dates of purchase and installation, and the exact nature of the defect. Within thirty (30) days after receipt of a written warranty claim by Aqua Creek, and barring any unforeseen delays, the place of purchase will be notified of Aqua Creek's decision regarding the claim.

If requested by Aqua Creek, any defective product must be returned, freight prepaid, to Aqua Creek's designated factory location or duly appointed distributor for inspection and/or repair. Aqua Creek will, at its option, repair or replace the failed or defective item, and deliver the repaired product or replacement to the buyer of the product, freight prepaid to the destination provided for in the original order. Products returned to Aqua Creek for which Aqua Creek provides replacement under this limited warranty shall become the property of Aqua Creek. A new warranty period shall NOT be established for the repaired or replaced products. Such products shall remain under warranty only for the remainder of the original warranty period on the original products purchased.

This written limited warranty constitutes the final, complete and exclusive statement of warranty terms. No person or organization is authorized to make any other specific or implied warranties or representations on behalf of Aqua Creek.

THE WARRANTIES SET FORTH HEREIN ARE IN LIEU OF ALL OTHER WARRANTIES, EXPRESSED OR IMPLIED, WHICH ARE HEREBY DISCLAIMED AND EXCLUDED, INCLUDING WITHOUT LIMITATION ANY WARRANTY OF MERCHANTABILITY OR FITNESS FOR A PARTICULAR PURPOSE OR USE.

THE SOLE AND EXCLUSIVE REMEDIES FOR BREACH OF ANY AND ALL WARRANTIES WITH RESPECT TO THE PRODUCTS SHALL BE LIMITED TO REPAIR OR REPLACEMENT AT AQUA CREEK'S DESIGNATED FACTORY LOCATION, OR DULY APPOINTED DISTRIBUTOR, OR IN PLACE AT AQUA CREEK'S OPTION. IN NO EVENT SHALL AQUA CREEK'S LIABILITY EXCEED THE ENTIRE AMOUNT PAID TO AQUA CREEK BY THE ORIGINAL PURCHASER FOR THE FAILED OR DEFECTIVE PRODUCT.

IN NO EVENT SHALL AQUA CREEK PRODUCTS, LLC BE LIABLE FOR ANY INCIDENTAL, CONSEQUENTIAL, SPECIAL, INDIRECT, PUNITIVE OR EXEMPLARY DAMAGES OR LOST PROFITS FROM ANY BREACH OF THIS LIMITED WARRANTY OR OTHERWISE.

THIS WARRANTY GIVES YOU SPECIFIC LEGAL RIGHTS AND YOU MAY ALSO HAVE OTHER RIGHTS, WHICH MAY VARY FROM STATE TO STATE. SOME STATES DO NOT ALLOW THE EXCLUSION OR LIMITATION OF INCIDENTAL, SPECIAL OR CONSEQUENTIAL DAMAGES, SO SOME OF THE ABOVE LIMITATIONS OR EXCLUSIONS MAY NOT APPLY TO YOU.

Aqua Creek Products, LLC
9889 Garrymore Lane
Missoula, MT 59808
Toll Free: (888) 687-3552
Local/Intnl: (406) 549-0769
www.aquacreek.com



Aqua Creek Products

The Total Solution for Pool and Spa Access



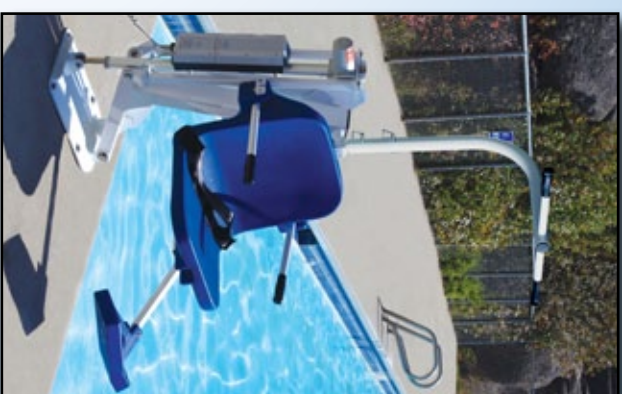
F-019CA

Cycle Attachment



F-706RLSS

Sling Seat Assembly



Ranger

with overhead therapy bar

ACCESSORIES & OPTIONS

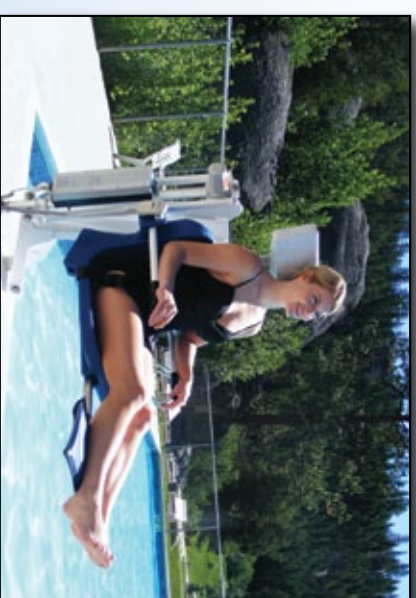


F-705

Wheelchair Attachment

- F-019CA Cycle Attachment
- F-105LAR Pull-Out Legrest
- F-422PLH Headrest (Old Pro Pool)
- F-422PLH-2 Headrest (All other lifts)
- F-422XR Headrest (Pro Pool-XR)
- F-423CS Chest Strap
- F-414OHB Overhead Therapy Bar
- F-705 Wheelchair*
- F-734RSA Spineboard*
- F-736HS Head Immobilizer For Spineboard*
- F-730RSA Gurney*
- F-706RLSS Sling Seat Assembly*

*For Revolution & Titan Only



Ranger with headrest and pull-out leg rest options

ACCESSORIES





Aqua Creek Products

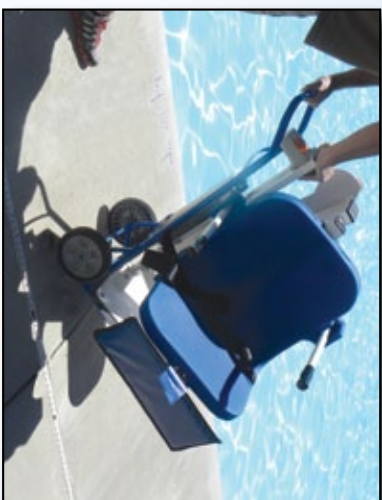
The Total Solution for Pool and Spa Access

COVERS

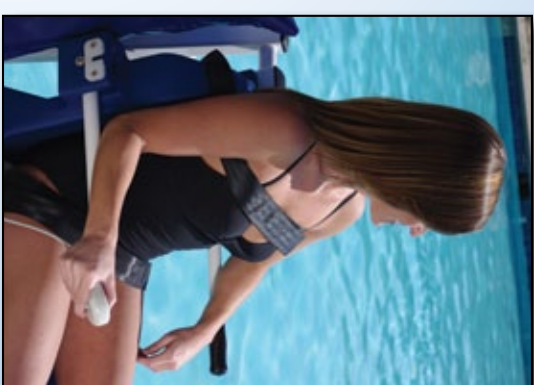
- F-442BL-C Ranger/Pro Pool
- F-12BL-C Pro Pool XR/Pathfinder/Patriot/Portable Pro Pool
- F-450BL-C Scout
- F-720BL-C Revolution/Titan
- F-EZBL-C EZ/Power EZ
- F-440HBC-B Super Power EZ
- F-440EZHS-C EZ/Power EZ
(cover w/hardseat option)
- F-445SLC Spa/Pro Spa 40 Series
- F-460PSLC Pro Spa 60 Series

TRANSPORT CARTS

- F-428HT Ranger/Pro Pool/Pathfinder
- F-914STC Pro Pool XR
- F-814SCTC Scout
- F-714RTC Revolution
- F-614TTC Titan



F-428HT
Transport Cart



F-423CS
Chest Strap

UPGRADE PACKS

- F-004PLBAP Ranger/Pro Pool + Transport Cart
- F-900PLAP Pathfinder + Transport Cart
- F-920SAP Pro Pool XR + Transport Cart
- F-800SCAP Scout
- F-700RLAP Revolution/Titan
- F-12PPAP Patriot/Portable Pro Pool
- F-03EZPLAP EZ (sliding bars, rigid seat sling w/ seat belt, cover)
- F-03PEZAP Power EZ (sliding bars, rigid seat sling w/ seat belt, cover, extra battery)
- F-190PHBLAP Super Power EZ (sliding bars, rigid seat sling w/seat belt, cover, extra battery)



F-004PLBAP
Upgrade Pack

UPGRADE PACKS INCLUDE**

- Lift Cover
- Extra Battery
- Headrest
- Chest Strap

****For lifts EXCEPT the EZ series. See table for EZ series upgrade pack specifics.**

ACCESSORIES

