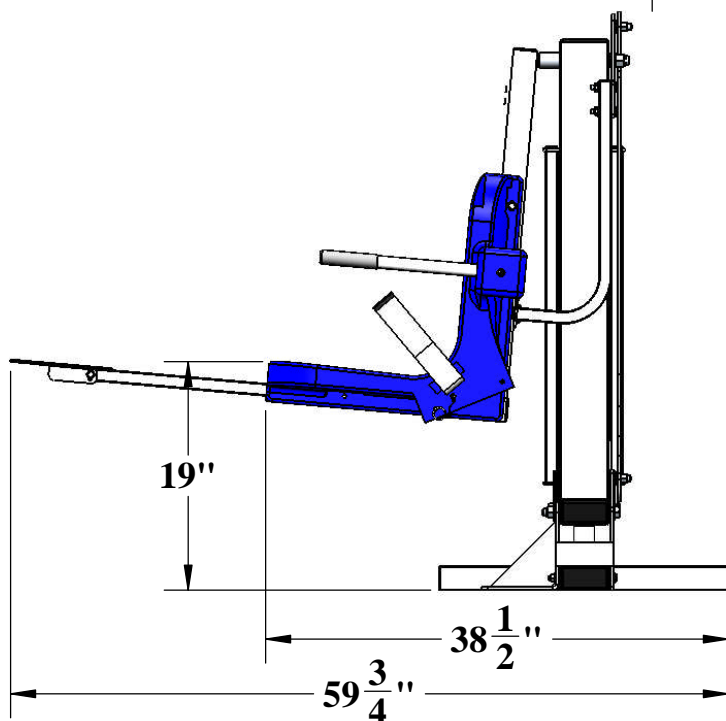
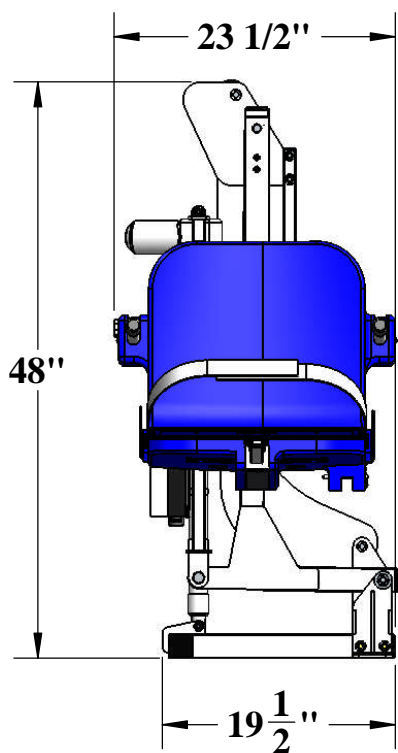
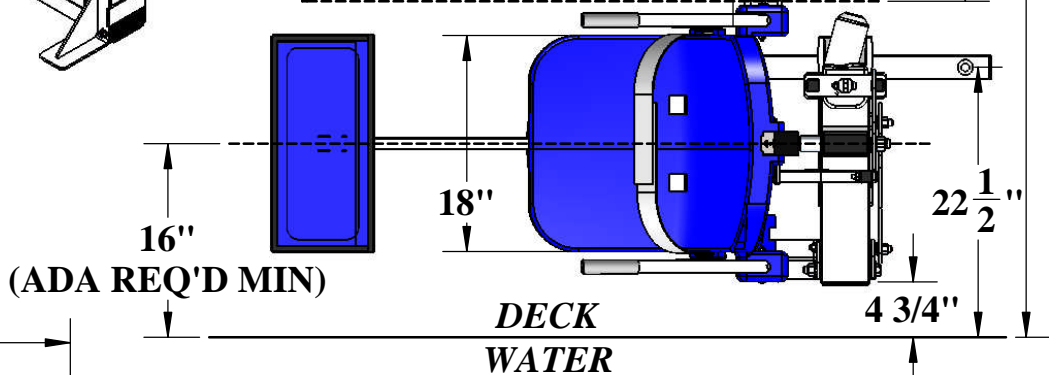
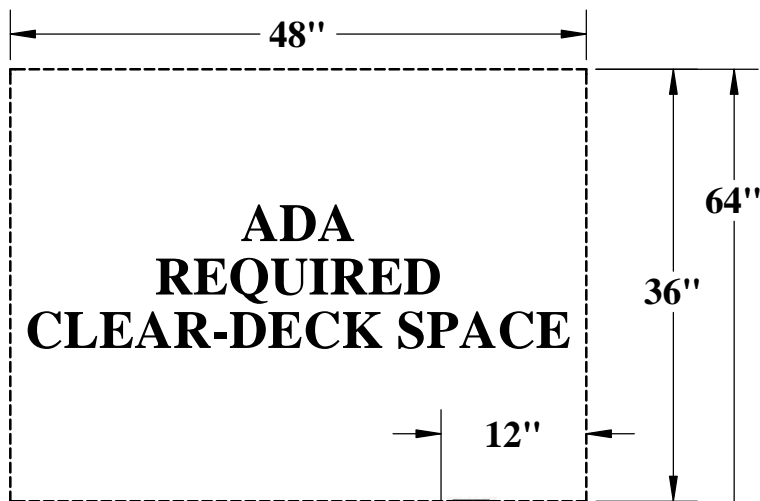
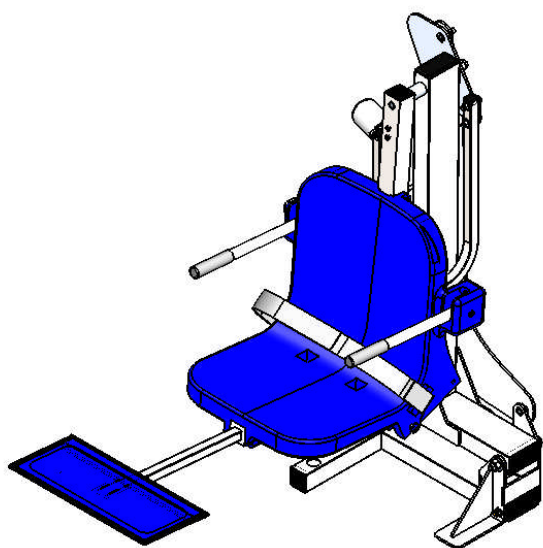


# THE PRO POOL-XR POOL LIFT

U.S. PATENT NO'S: [7,249,386 B2] [D507,769 S]



9889 GARRYMORE LANE  
 MISSOULA, MT 59808  
 (406) 549-0769  
 FAX (406) 549-2602

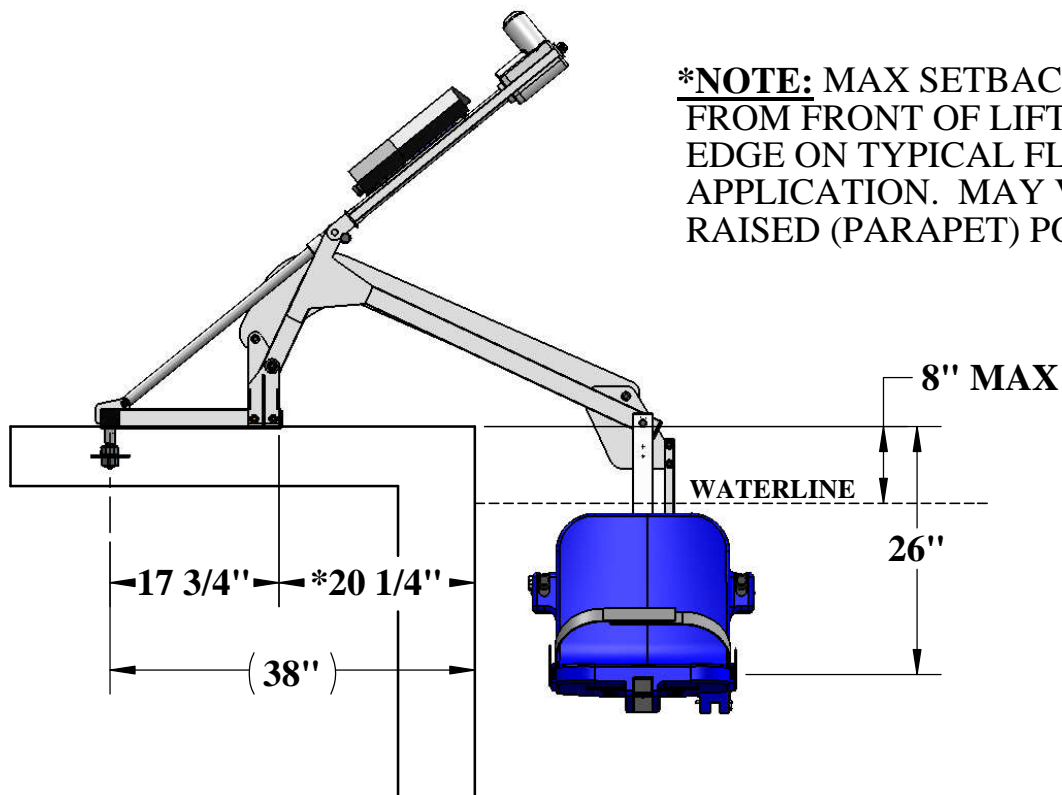
NOTE:  
 \*SPECIFICATIONS ARE SUBJECT TO CHANGE WITHOUT NOTICE

PRODUCT:	F-004PLB-XR	
DWG #:	F-004PLB-XR-1	
SCALE:	1:16	DATE: 10/31/14
DRAWN BY:	KR	REVISION: G

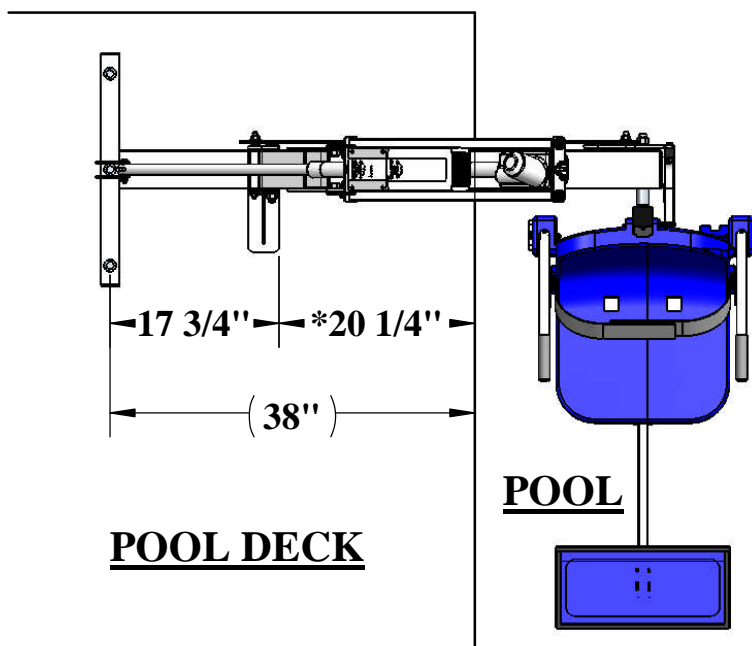
**Aqua Creek Products**  
 The Total Solution for Pool and Spa Access

# THE PRO POOL-XR POOL LIFT

U.S. PATENT NO'S: [7,249,386 B2] [D507,769 S]



**SIDE VIEW - PRO POOL-XR ON FLAT DECK**



**PLAN VIEW - PRO POOL-XR ON FLAT DECK**



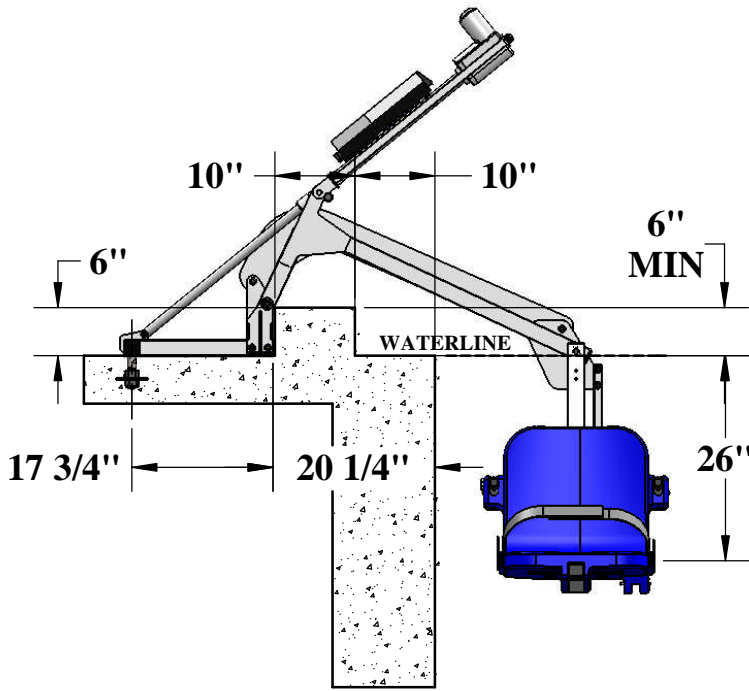
9889 GARRYMORE LANE  
 MISSOULA, MT 59808  
 (406) 549-0769  
 FAX (406) 549-2602

NOTE:  
 \*SPECIFICATIONS ARE SUBJECT TO CHANGE WITHOUT NOTICE

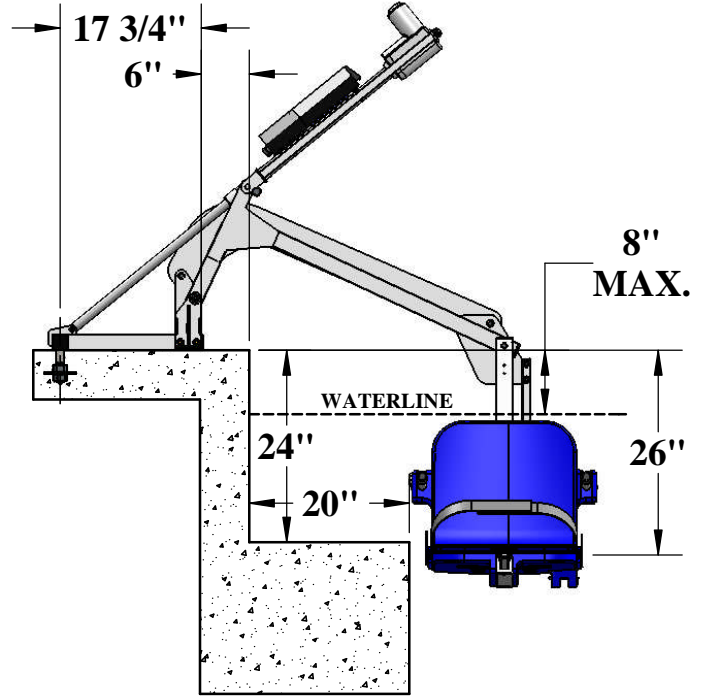
PRODUCT:	F-004PLB-XR	
DWG #:	F-004PLB-XR-2	
SCALE:	1:20	DATE: 10/31/14
DRAWN BY:	KR	REVISION: G

# THE PRO POOL-XR POOL LIFT

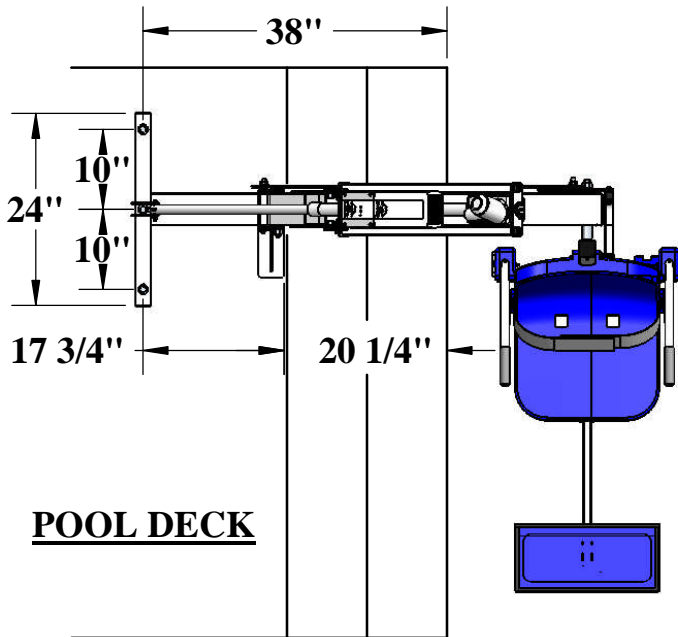
U.S. PATENT NO'S: [7,249,386 B2] [D507,769 S]



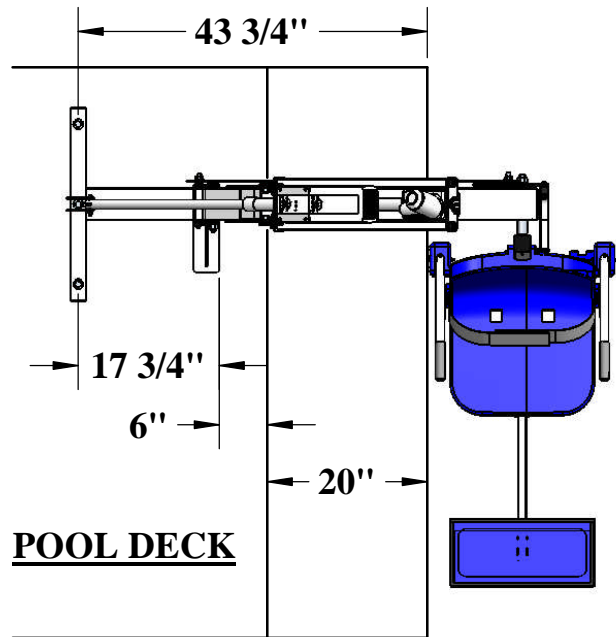
**SIDE VIEW**  
**PRO POOL-XR ON TYP. CURB**



**SIDE VIEW**  
**PRO POOL-XR ON TYP. SPA BENCH**



**PLAN VIEW**  
**PRO POOL-XR ON TYP. CURB**



**PLAN VIEW**  
**PRO POOL-XR ON TYP. SPA BENCH**

*\*TYPICAL DRAWINGS REPRESENT THE MOST COMMON SITUATIONS.  
CONTACT AQUA CREEK FOR YOUR SPECIFIC APPLICATION.*



9889 GARRYMORE LANE  
MISSOULA, MT 59808  
(406) 549-0769  
FAX (406) 549-2602

NOTE:  
\*SPECIFICATIONS ARE SUBJECT TO CHANGE WITHOUT NOTICE

PRODUCT:	<b>F-004PLB-XR</b>	
DWG #:	<b>F-004PLB-XR-3</b>	
SCALE:	<b>1:24</b>	DATE: <b>10/31/14</b>
DRAWN BY:	<b>KR</b>	REVISION: <b>G</b>

# THE PRO POOL-XR POOL LIFT

U.S. PATENT NO'S: [7,249,386 B2] [D507,769 S]

## SPECIFICATIONS:

**LIFTING CAPACITY: 350 lbs [159 kg]**  
**STATIC LOAD CAPACITY: 525 lbs [238 kg]**

**MAX. DRAFT (DECK TO WATER): 8.0" [203mm]**  
**MAX. SETBACK (FRONT OF LIFT TO EDGE OF DECK): 20 1/4" [514mm]**

**OVERALL HEIGHT (MAX): 48" [1219mm]**  
**MAX. WIDTH (DEPLOYED): 59-3/4" [1517.7mm]**  
**MAX. LENGTH (DEPLOYED): 68" [1727mm]**  
**STOWED LENGTH (MAX): 23-1/2" [597mm]**  
**STOWED WIDTH (NO LEGREST): 38-1/2" [978mm]**

**WEIGHT: 145lbs [65.8kg]**

### **MATERIALS:**

**LIFT FRAME: TYPE 304 STAINLESS STEEL**  
**BASEPLATE: TYPE 304 STAINLESS STEEL**  
**CHAIR: LLDPE POLYETHYLENE**  
**SAFETY BELT: HEAVY-DUTY POLYESTER STRAP, HOOK & LOOP FASTENER**  
**POWDER COATING: OFF-WHITE POLYESTER**

### **STANDARD EQUIPMENT:**

**FLIP-UP ARMRESTS**  
**PULL-OUT LEGREST**  
**SAFETY BELT**  
**24VDC BATTERY & CHARGER**  
**WATER RESISTANT HANDSET-REMOTE**  
**ACTUATOR COVER**

### **ACCESSORIES:**

**CHEST STRAP**  
**HEADREST**  
**UPGRADE PACK**  
**LOCKABLE COVER**  
**SOLAR CHARGING STATION**  
**TRANSPORT CART**



9889 GARRYMORE LANE  
MISSOULA, MT 59808  
(406) 549-0769  
FAX (406) 549-2602

NOTE:  
\*SPECIFICATIONS ARE SUBJECT TO CHANGE WITHOUT NOTICE

PRODUCT:		<b>F-004PLB-XR</b>	
DWG #:		<b>F-004PLB-XR-4</b>	
SCALE:	<b>1:1</b>	DATE:	<b>10/31/14</b>
DRAWN BY:	<b>KR</b>	REVISION:	<b>G</b>