



Quickie 2

EQ2N Effective April 2011

ACCOUNT #: _____ SHIP TO: _____

DATE: _____ NAME: _____

P.O. #: _____ ADDRESS: _____

BUYER: _____ CITY/ STATE: _____

MARKED FOR: _____ ZIP CODE: _____ PHONE NUMBER: _____

The HCPCS codes provided are based on code verification by the PDAC or our interpretation of the code definitions.
 Proper use of HCPCS codes does not ensure coverage or payment. For coverage information, verify the appropriate payor's coverage policy.

BASE MODEL		
<input type="checkbox"/>	184WM32 K0005 Quickie 2 (EQ2N)	\$2,050.00
<i>E1236 coding still applies for EQ2N with certain sizes</i>		

XTENDER POWER ASSIST		
<i>Rear axle position only available at 18.5" seat height</i>		
<i>Front seat height must be greater than rear and NA w/ Rounded frame</i>		
<i>NA with 3/4" & 1 1/2" caster stems - OR - Depth Adj. Back, HD Package or Transit Option</i>		
<input type="checkbox"/>	184XT1 E0986 Xtender Power Assist with Pneumatic	\$6,595.00

XTENDER POWER ASSIST HANDRIMS		
<input type="checkbox"/>	184XH1 3x Torque Multiplier- Plastic Coated	NC
<input type="checkbox"/>	184XH2 1.5x Torque Multiplier- Stainless Steel	NC

XTENDER POWER ASSIST WHEELS		
<input type="checkbox"/>	184XA2 E2211 SPARE 24" Spoke Pneu Alum	NC
<i>E2212</i>		
<input type="checkbox"/>	184XA4 E2211 SPARE 24" Spoke Pneu Plastic	\$90.00
<i>E2213</i>		

XTENDER POWER ASSIST ACCESSORY		
<input type="checkbox"/>	184XA1 Xtender Spare Nimh Power Pack	\$1,395.00

REAR FRAME TYPE (265 lbs. Weight Capacity)		
<input type="checkbox"/>	184RS1 Rear Side Frame Straight	NC
<input type="checkbox"/>	184RS2 Rear Side Frame Rounded	NC
<i>NA with Xtender Power Assist</i>		
<input type="checkbox"/>	184RS3 Depth Adjustable Back (DAB)	\$195.00
<i>NA with swing-away, flip-back armrests, or Xtender</i>		
<i>(Backrest set 2" rear of seat tube w/ 1" adjustable forward)</i>		

HEAVY DUTY PACKAGE (350 lbs. weight capacity)		
<input type="checkbox"/>	184HV1 K0108 Heavy Duty (18"-22" w. only)	\$500.00
<i>NA with Xtender or Small Frame Length</i>		
<i>Includes Reinforced Back Upholstery & Stabilizer Bar</i>		

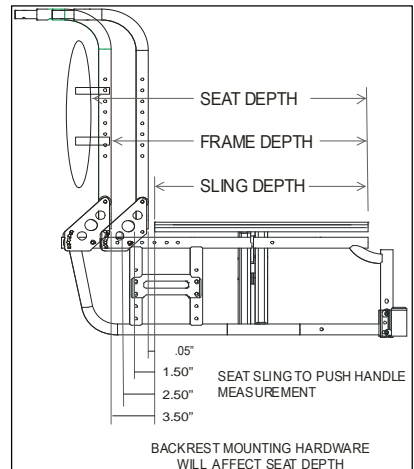
FRAME WIDTH		
<input type="checkbox"/>	184W3 12"	NC
<input type="checkbox"/>	184W4 13"	NC
<input type="checkbox"/>	184W5 14"	NC
<input type="checkbox"/>	184W6 15"	NC
<input type="checkbox"/>	184W7 16"	NC
<input type="checkbox"/>	184W8 17"	NC
<input type="checkbox"/>	184W9 18"	NC
<input type="checkbox"/>	184W10 19"	NC
<input type="checkbox"/>	184W11 E2201 20"	\$450.00
<input type="checkbox"/>	184W12 E2201 21" (Only Avail. With Heavy Duty)	\$450.00
<input type="checkbox"/>	184W13 E2201 22" (Only Avail. With Heavy Duty)	\$450.00



Quickie 2 with Jay Lite cushion shown

SEAT DEPTH		
<input type="checkbox"/>	184SD5 12"	NC
<input type="checkbox"/>	184SD6 13"	NC
<input type="checkbox"/>	184SD7 14"	NC
<input type="checkbox"/>	184SD67 15"	NC
<input type="checkbox"/>	184SD9 16"	NC
<input type="checkbox"/>	184SD69 17"	NC
<input type="checkbox"/>	184SD70 18"	NC
<input type="checkbox"/>	184SD71 19"	\$75.00
<input type="checkbox"/>	184SD13 E2203 20"	\$475.00

Depth Adjustable Back Frame Type



ORDERING INFORMATION PHONE: (800) 333-4000, FAX: (800) 300-7502, WEBSITE: www.sunrisemedical.com

FRAME LENGTH

Hemi Frame Lengths NA with Xtender Power Assist and with Hemi Hangers Only.

<input type="checkbox"/>	184FL83	Small (12"-14")	NC
<input type="checkbox"/>	184FL9	Regular (13"-16")	NC
<input type="checkbox"/>	184FL18	Long (15"-18")	NC
<input type="checkbox"/>	184FL25	X-Long (17"-20") (Steel Reinforced)	NC
<input type="checkbox"/>	184FL17	Hemi (13"-16")	NC
<input type="checkbox"/>	184FL24	Long Hemi (15"-18")	NC
<input type="checkbox"/>	184FL29	X-Long Hemi (17"-20")(Steel Reinforced)	NC

FRONT SEAT HEIGHT

Please see matrix on Page 8 for additional information

<input type="checkbox"/>	184SH41	14" (Available only on Hemi Frame)	NC
<input type="checkbox"/>	184SH42	14.5"	NC
<input type="checkbox"/>	184SH12	15"	NC
<input type="checkbox"/>	184SH13	15.5"	NC
<input type="checkbox"/>	184SH14	16"	NC
<input type="checkbox"/>	184SH15	16.5"	NC
<input type="checkbox"/>	184SH16	17"	NC
<input type="checkbox"/>	184SH17	17.5"	NC
<input type="checkbox"/>	184SH18	18"	NC
<input type="checkbox"/>	184SH20	18.5"	NC
<input type="checkbox"/>	184SH21	19"	NC
<input type="checkbox"/>	184SH23	19.5"	NC
<input type="checkbox"/>	184SH24	20"	NC
<input type="checkbox"/>	184SH26	20.5" (Only available on swing away)	NC
<input type="checkbox"/>	184SH27	21" (Only available on swing away)	NC
<input type="checkbox"/>	184SH29	21.5" (NA with Hemi Frame)	NC
<input type="checkbox"/>	184SH36	22" (NA with Hemi Frame)	NC

CASTER WHEEL

All 8" casters NA w/ 90° hangers, ELRs and Small Frame. Also NA w/ combination of regular front frames, composite footplates, 24" wheels, and 70/80/90 degree hangers.

Please see matrix on Page 8 for additional information

<input type="checkbox"/>	184CW1	3" Micro	NC
<input type="checkbox"/>	184CW3	4" Low Profile Polyurethane	NC
		<i>NA in heavy duty package.</i>	
<input type="checkbox"/>	184CW31	4" Micro Lighted	\$70.00
<input type="checkbox"/>	184CW72	4" x 1" Aluminum Polyurethane	\$80.00
<input type="checkbox"/>	184CW44	4" x 1.25" Semi Pneumatic	\$55.00
<input type="checkbox"/>	184CW64	4" x 1.5" Aluminum Soft Roll	\$135.00
<input type="checkbox"/>	184CW5	5" Low Profile Polyurethane	NC
<input type="checkbox"/>	184CW51	5" Micro Lighted	\$85.00
<input type="checkbox"/>	184CW65	5" x 1" Aluminum Polyurethane	\$100.00
<input type="checkbox"/>	184CW7	5" x 1.5" Semi-Pneumatic	\$85.00
<input type="checkbox"/>	184CW6	5" Soft Roll (Grey)	\$85.00
		<i>NA with Frog Legs</i>	
<input type="checkbox"/>	184CW66	5" x 1.5" Aluminum Soft Roll	\$145.00
<input type="checkbox"/>	184CW34	6" Polyurethane	NC
<input type="checkbox"/>	184CW33	E2214 6" Pneumatic	\$85.00
		E2215	
<input type="checkbox"/>	184CW35	6" x 1.5" Semi Pneumatic	\$85.00
<input type="checkbox"/>	184CW68	6" x 1.5" Aluminum Soft Roll	\$160.00
<input type="checkbox"/>	184CW16	7" Polyurethane	NC
<input type="checkbox"/>	184CW32	8" Polyurethane	NC
<input type="checkbox"/>	184CW21	E2214 8" Pneumatic	\$75.00
		E2215	
<input type="checkbox"/>	184CW39	8" x 1.5" Semi Pneumatic	\$85.00
<input type="checkbox"/>	184CW36	E2214 8" x 2" Pneumatic	\$145.00
		E2215	
<input type="checkbox"/>	184CW22	E2214 8" x 2" Pneumatic w/Airless Insert	\$225.00
		K0108	

CASTER FORK

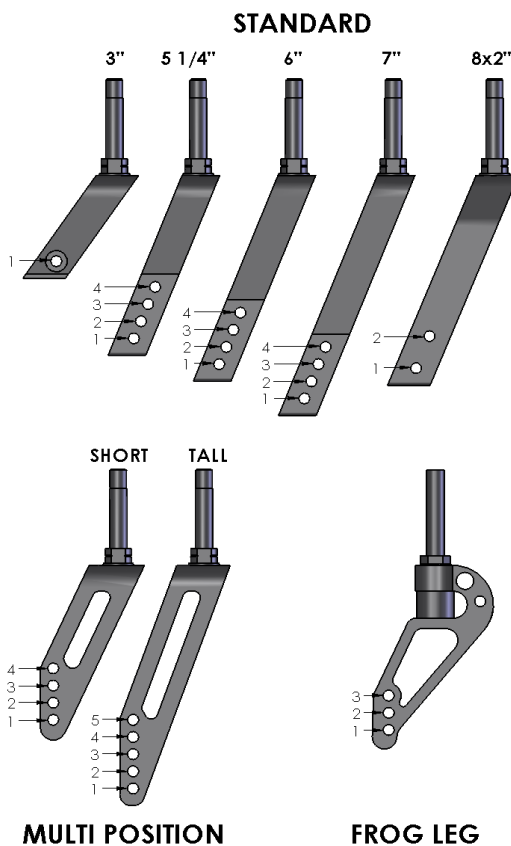
Please see matrix on Page 8 for additional information

<input type="checkbox"/>	184CF46	Multi Position Fork-Short	NC
<input type="checkbox"/>	184CF47	Multi Position Fork- Tall	NC
<input type="checkbox"/>	184CF62	3" Fork	NC
<input type="checkbox"/>	184CF12	5 1/4" Fork	NC
<input type="checkbox"/>	184CF17	6 " Fork	NC
<input type="checkbox"/>	184CF23	7" Fork	NC
<input type="checkbox"/>	184CF29	8" x 2" Fork	NC
<input type="checkbox"/>	184CF53	E1015 Frog Legs Suspension (0-100 lbs.)	\$395.00
<input type="checkbox"/>	184CF54	E1015 Frog Legs Suspension (101-190 lbs.)	\$395.00
<input type="checkbox"/>	184CF55	E1015 Frog Legs Suspension (191-265 lbs.)	\$395.00

CASTER OPTIONS

<input type="checkbox"/>	184OC1	K0073 Caster Pin Locks (N/A w/8"x2")	\$195.00
--------------------------	--------	--------------------------------------	----------

NA with Xtender Power Assist Option or Frog Legs



HANGERS			
<input type="checkbox"/>	184H85	60° Swing In/Out Hanger	NC
<input type="checkbox"/>	184H86	70° Swing In/Out Hanger	NC
<input type="checkbox"/>	184H88	70° Hemi Swing In/Out Hanger	NC
<input type="checkbox"/>	184H24	K0053 Articulating Hanger <i>Available w/ composite & alum. angle adj. footplates. 15-22' widths only. NA with Push To Lock Wheel Locks</i>	\$350.00
<input type="checkbox"/>	184H14	E0990 Elevating Hanger <i>Only available with aluminum footplates or angle adj. NA with short extension tubes.</i>	\$295.00
<input type="checkbox"/>	184H42	E0990 Elevating Hemi Hanger <i>NA w/locking angle adjust footplates 14"- 22" W available w/ aluminum or angle adj.</i>	\$295.00
<input type="checkbox"/>	184H89	70° Swing In/Out Front Mount <i>Available w/ aluminum angle adj.</i>	NC
<input type="checkbox"/>	184H90	80° Swing In/Out Front Mount <i>Available w/ aluminum angle adj.</i>	NC
<input type="checkbox"/>	184H91	90° Swing In/Out Front Mount <i>Available w/ aluminum angle adj.</i>	NC
<input type="checkbox"/>	184H32	Omit Hanger	-\$15.00

FOOTPLATES			
<input type="checkbox"/>	184F1	E0951 Composite w/Heel Loop <i>13"-22" W</i>	NC
<input type="checkbox"/>	184F271	K0040 Composite Angle Adj. w/Heel Loop E0951 <i>16" - 22" W</i>	\$150.00
<input type="checkbox"/>	184F3	K0040 Aluminum Angle Adj. w/ Heel Loop E0951 <i>12"-22" W</i>	\$185.00
<input type="checkbox"/>	184F5	Aluminum Footplate <i>Available with elevating hangers.</i>	NC
<input type="checkbox"/>	184F48	K0040 Platform Flip Up w/ Leg Strap K0038 <i>Available with 60°, 70°, or hemi hangers.</i>	\$190.00
<input type="checkbox"/>	184F7	Omit Footplate & Extension Tube	-\$15.00

EXTENSIONS (Required with Extension Tube Mounted Hangers)			
<input type="checkbox"/>	184E1	Short (<i>see matrix for lengths</i>)	NC
<input type="checkbox"/>	184E2	Medium (<i>see matrix for lengths</i>)	NC
<input type="checkbox"/>	184E5	Long (<i>see matrix for lengths</i>)	NC
<input type="checkbox"/>	184E12	Short ELR (<i>elevating leg rest only</i>)	NC
<input type="checkbox"/>	184E15	Long ELR (<i>elevating leg rest only</i>)	NC
<input type="checkbox"/>	184E16	K0037 High Mount <i>NA with One-Arm drive option or ELR's or Front Mount Only available w/ Angle Adj Footplates</i>	\$55.00
<input type="checkbox"/>	184E23	2" - Front Mount Only <i>NA with 6", 7" or 8" caster, 90° hangers or ELR's</i>	\$55.00
<input type="checkbox"/>	184E24	4" - Front Mount Only <i>NA with 6", 7" or 8" caster, 90° hangers or ELR's</i>	\$55.00

FOOTREST OPTIONS (EXTENSION TUBE AND DIRECT MOUNT)			
<input type="checkbox"/>	184HL4	Omit Heel Loop	NC
<input type="checkbox"/>	184HL6	Omit Leg Strap	NC

LOWER LEG LENGTH SETTING (<i>Recommend 2" less than FSTFH</i>)					
<i>Not applicable when choosing direct mount hangers</i>					
<input type="checkbox"/>	184LO01	9" NC	<input type="checkbox"/>	184LO02	9.5" NC
<input type="checkbox"/>	184LO03	10" NC	<input type="checkbox"/>	184LO04	10.5" NC
<input type="checkbox"/>	184LO05	11" NC	<input type="checkbox"/>	184LO06	11.5" NC
<input type="checkbox"/>	184LO07	12" NC	<input type="checkbox"/>	184LO08	12.5" NC
<input type="checkbox"/>	184LO09	13" NC	<input type="checkbox"/>	184LO10	13.5" NC
<input type="checkbox"/>	184LO11	14" NC	<input type="checkbox"/>	184LO12	14.5" NC
<input type="checkbox"/>	184LO13	15" NC	<input type="checkbox"/>	184LO14	15.5" NC
<input type="checkbox"/>	184LO15	16" NC	<input type="checkbox"/>	184LO16	16.5" NC
<input type="checkbox"/>	184LO17	17" NC	<input type="checkbox"/>	184LO18	17.5" NC
<input type="checkbox"/>	184LO19	18" NC	<input type="checkbox"/>	184LO20	18.5" NC
<input type="checkbox"/>	184LO21	19" NC	<input type="checkbox"/>	184LO22	19.5" NC
<input type="checkbox"/>	184LO23	20" NC	<input type="checkbox"/>	184LO24	20.5" NC

FOOTREST LENGTH MATRIX

Footrest Length Matrix (all dims in inches)

Hanger	Extension	Seat Sling to Top of Footrest	
		Min	Max
60° Swing Away	Short	12.5	16.5
	Med	13.0	18.0
	Long	15.0	19.5
70° Swing Away (Std & Hemi)	Short	13.0	17.0
	Med	13.5	18.5
	Long	15.5	20.5
60° Swing Away w/ Platform Flip-up	Short	11.5	14.5
	Long	14.0	18.5
70° Swing Away w/ Platform Flip-up	Short	12.5	15.5
	Long	15.5	20.0
60° Swing Away w/ Locking Ang Adj	Short	12.0	14.0
	Med	12.0	16.0
	Long	12.0	16.5
70° Swing Away w/ Locking Ang Adj	Short	12.5	15.0
	Med	12.5	17.0
	Long	12.5	17.5
*70° Front Mount	No Ext	6.0	11.5
	2" Ext	6.0	14.0
	4" Ext	6.0	16.0
*80° Front Mount	No Ext	6.0	12.0
	2" Ext	6.0	14.5
	4" Ext	6.0	16.5
90° Front Mount	No Ext	5.5	11.5
ALR	Med	15.0	17.5
	Long	17.5	20.0
ELR	Short	14.0	18.0
	Long	15.0	20.0

* 2" & 4" Extensions shipped separate, not mounted

REAR SEAT HEIGHT

21.5" & 22" only available with amputee or straight axle plate & Mountain Wheel

<input type="checkbox"/> 184RH11	13" (curved axle plate and rounded rear)	NC
<input type="checkbox"/> 184RH12	13.5"	NC
<input type="checkbox"/> 184RH13	14"	NC
<input type="checkbox"/> 184RH14	14.5"	NC
<input type="checkbox"/> 184RH15	15"	NC
<input type="checkbox"/> 184RH16	15.5"	NC
<input type="checkbox"/> 184RH17	16"	NC
<input type="checkbox"/> 184RH18	16.5"	NC
<input type="checkbox"/> 184RH19	17"	NC
<input type="checkbox"/> 184RH26	17.5"	NC
<input type="checkbox"/> 184RH20	18"	NC
<input type="checkbox"/> 184RH27	18.5"	NC
<input type="checkbox"/> 184RH21	19"	NC
<input type="checkbox"/> 184RH37	19.5"	NC
<input type="checkbox"/> 184RH22	20"	NC
<input type="checkbox"/> 184RH38	20.5"	NC
<input type="checkbox"/> 184RH23	21"	NC
<input type="checkbox"/> 184RH39	21.5"	NC
<input type="checkbox"/> 184RH40	22"	NC

REAR WHEEL TYPE

Not applicable when Xtender Power Assist Option is chosen.

Ultra Lightweight Wheels only available with Aluminum Anodized Handrim

Handrims cannot be omitted on Lite Spoke Wheels

Contact Built 4 Me for Spinergy color options

<input type="checkbox"/> 184RW3	20" Mag Wheel	NC
<input type="checkbox"/> 184RW8	22" Mag Wheel	NC
<input type="checkbox"/> 184RW1	24" Mag Wheel	NC
<input type="checkbox"/> 184RW90	20" Lite Spoke Wheel	\$200.00
<input type="checkbox"/> 184RW91	22" Lite Spoke Wheel	\$200.00
<input type="checkbox"/> 184RW92	24" Lite Spoke Wheel	NC
<input type="checkbox"/> 184RW93	25" Lite Spoke Wheel	NC
<input type="checkbox"/> 184RW94	26" Lite Spoke Wheel	\$80.00
<input type="checkbox"/> 184RW77	22" Ultra Lightweight Spoke Wheel	\$250.00
<input type="checkbox"/> 184RW78	24" Ultra Lightweight Spoke Wheel	\$250.00
<input type="checkbox"/> 184RW28	22" Spinergy SPOX Black	\$695.00
<input type="checkbox"/> 184RW95	24" Spinergy SPOX Black	\$695.00
<input type="checkbox"/> 184RW96	25" Spinergy SPOX Black	\$695.00
<input type="checkbox"/> 184RW97	26" Spinergy SPOX Black	\$695.00
<input type="checkbox"/> 184RW32	22" Spinergy LX Black	\$895.00
<input type="checkbox"/> 184RW98	24" Spinergy LX Black	\$895.00
<input type="checkbox"/> 184RW99	25" Spinergy LX Black	\$895.00
<input type="checkbox"/> 184RW40	26" Spinergy LX Black	\$895.00
<input type="checkbox"/> 184RW50	24" Mountain	\$250.00
<input type="checkbox"/> 184RW25	Omit Rear Wheel and Axle (Intended Size for Set Up _____)	-\$55.00
<input type="checkbox"/> 184RW49	Omit Rear Wheel (Use with Xtender)	NC

REAR WHEEL TIRE

Not applicable when Xtender Power Assist Option is chosen.

<input type="checkbox"/> 184RT1	E2211 Pneumatic E2212	NC
<input type="checkbox"/> 184RT2	E2211 Pneumatic Airless Insert E2213	\$80.00
<input type="checkbox"/> 184RT3	E2218 Full Poly	NC
<input type="checkbox"/> 184RT6	E2211 High-Pressure Clincher E2212	\$95.00
<input type="checkbox"/> 184RT27	E2211 Knobby V-TRAK E2212	\$95.00
<input type="checkbox"/> 184RT21	E2211 Schwalbe Marathon Plus Evolution E2212	\$125.00

REAR WHEEL TIRE (cont.)

<input type="checkbox"/> 184RT22	E2218 Kik® Mako Black	\$95.00
<input type="checkbox"/> 184RT12	E2211 Mountain Tire E2212	\$95.00

HANDRIM

Natural Fits are available in 22", 24", and 25" sizes

Handrim Selection not applicable with Xtender Power Assist

Ultra Lightweight Wheels only available with Aluminum Anodized Handrim

<input type="checkbox"/> 184HR1	Aluminum Anodized	NC
<input type="checkbox"/> 184HR4	Plastic Coated -NA on all rims	\$ 95.00
<input type="checkbox"/> 184HR22	Natural Fit - Standard Grip	\$ 375.00
<input type="checkbox"/> 184HR23	Natural Fit - Super Grip	\$ 395.00
<input type="checkbox"/> 184HR30	Natural Fit LT- Standard Grip	\$ 375.00
<input type="checkbox"/> 184HR31	Natural Fit LT- Super Grip	\$ 395.00
<input type="checkbox"/> 184HR24	Spinergy Flex Rim Available on 24" & 25" Spinergy LX wheel	\$ 525.00
<input type="checkbox"/> 184HR7	Omit Handrim NA on all rims	NC

PROJECTION HANDRIMS

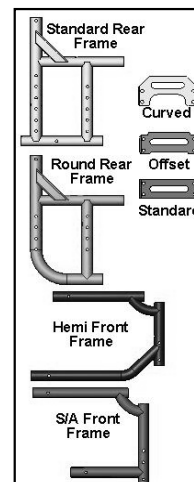
Not available with Xtender Power Assist Option, plastic coated handrims, or Kik tires

Only available with 24" or 26" rims / Height Adj and Flip Back Arms

<input type="checkbox"/> 184HR8	8 Oblique	\$ 240.00
---------------------------------	-----------	-----------

Q2 Rear Seat Height Availability

Rear Tire	Min RSH	Max RSH
20" Pneumatic	13.5	19.0
20" Poly	13.5	19.0
22" Pneumatic	14.0	20.0
22" Poly	14.0	20.0
22" HP Clincher	13.5	19.5
22" Schwalbe	13.5	19.5
22" Kik	13.5	19.5
24" Pneumatic	14.5	21.0
24" Kevlar	14.5	21.0
24" Poly	14.5	21.0
24" HP Clincher	14.5	20.5
24" Knobby	14.5	21.0
24" Schwalbe	14.5	20.5
24" Kik	14.5	20.5
24" Urban Assault	15.5	21.5
24" Mountain	15.0	21.0
24" Poly Low	14.5	20.5
25" HP Clincher	15.0	21.0
25" Schwalbe	15.0	21.0
25" KIK	14.5	20.5
26" Pneumatic	16.0	22.0
26" HP Clincher	15.5	21.5
26" Schwalbe	15.5	21.5
26" Urban Assault	16.0	22.0
26" Mountain	16.0	22.0



Rear Side Frame	Min RSH	Max RSH
Curved	13.5	21
Straight	13.5	22
DAB	14	22

Axle Plate	Min RSH	Max RSH
Curved	13.5	22
Straight	13.5	22
Offset	13.5	22
Amputee	13.5	22

Rear Tire, Side Frame, and Axle Plate selections dictate seat height availability.

*Not all combinations are possible within acceptable seat height ranges

Rear Wheel and Tire Availability Matrix

Rear Tire & Wheel Matrix Quickie 2 Rev D						
Tire	Wheel	Mag	Lite Spoke	Ultra Lightweight	Spingery	Mountain
	Pneumatic		20,22,24	20,22,24,26		22,24,26
Pneumatic Airless Insert		22,24	22,24		22,24	
Full Poly Tire		20,22,24	20,22,24			
High-Pressure Clincher			22,24,25,26	22,24,26	22,24,25,26	
Knobby V-TRAK			24		24	
Schwalbe Marathon Plus			24,25,26	22,24,26	24,25,26	
Kik® Mako Black		24	24,25		24,25	
Mountain						24

22" = 489 24" = 540 25" = 559 26" = 590

ORDERING INFORMATION PHONE: (800) 333-4000, FAX: (800) 300-7502, WEBSITE: www.sunrisemedical.com

Specifications are subject to change without notice. Copyright © 2009, Sunrise Medical (US) LLC. (9.09). Quickie 2 - Page 4 of 8 112252 Rev. J

AXLE		
<input type="checkbox"/>	184AX1	Quick Release Steel NC
<input type="checkbox"/>	184AX11	Quad Quick Release \$90.00
<i>Mag and Mountain Wheel Only</i>		

AXLE PLATE		
<input type="checkbox"/>	184AL33	Standard Adjustable NC <i>Some restrictions may apply</i>
<input type="checkbox"/>	184AL5	Curved Adjustable \$55.00
<input type="checkbox"/>	184AL6 E0959	Amputee Adjustable \$175.00 <i>Available with SPHA armrests</i>
<input type="checkbox"/>	184AL29	Offset Adjustable NC <i>Rear seat height will be 1/4" lower than standard RSTFH</i>

ONE ARM DRIVE		
<i>NA with Xtender, 25" & 26" wheels, 12" 21" & 22" Wide, HD Package</i>		
<i>Padded Swing Away Arm, Anti-Tips, amputee axle, or small tray table. Mags only</i>		
<input type="checkbox"/>	184AL16 E0958	One Arm Drive Adj. Axle Plate \$850.00
<input type="checkbox"/>	184OA1	Small Handrim (NA w/ 20" wheels) NC
<input type="checkbox"/>	184OA2	Standard Handrim NC
<input type="checkbox"/>	184HM1	Right Hand Mount NC
<input type="checkbox"/>	184HM2	Left Hand Mount NC

BACK TYPE		
<input type="checkbox"/>	184BT10	Standard NC
<input type="checkbox"/>	184BT20	Angle Adjustable Back (3-5") \$165.00
<input type="checkbox"/>	184BT22	Angle Adjustable Back (5"-7") \$165.00
<input type="checkbox"/>	184BT6	Depth Adjustable (Required with DAB) NC

BACKREST UPHOLSTERY (STANDARD OR ANGLE ADJUSTABLE)		
<input type="checkbox"/>	184BU1	Standard Upholstery NC
<input type="checkbox"/>	184BU8	Tension Adjustable Upholstery \$175.00 <i>NA with fabric side guards or Depth Adj. Back</i>
<input type="checkbox"/>	184BP8	Omit Back Post & Upholstery -\$35.00 <i>Use with DAB solid back & Hardware</i>
<input type="checkbox"/>	184BU23	Depth Adjustable Solid Back \$195.00
<input type="checkbox"/>	184BU14	Omit Back Upholstery -\$15.00

BACKREST OPTION		
<input type="checkbox"/>	184OD4	Reinforced Upholstery \$50.00 <i>Only available with Standard Back Upholstery & HD package</i>

JAY BACK (OPTIONAL)		
<input type="checkbox"/>	184JB01	Jay J3 Back (See J3 Back Order Form) Price List

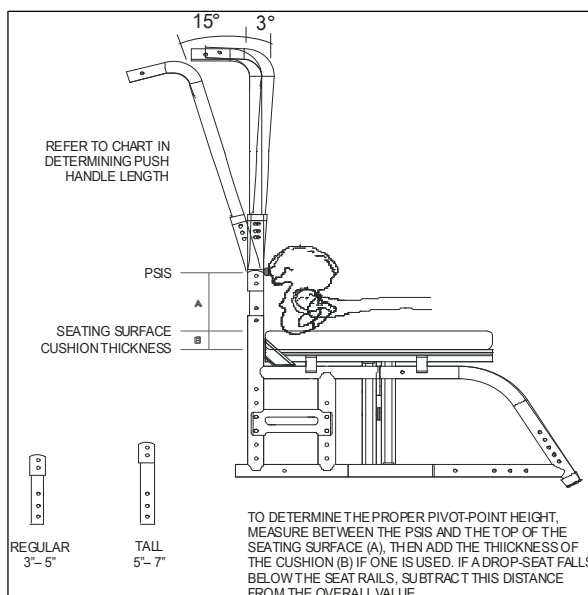
MILITARY SERVICE PATCHES (OPTIONAL)		
<i>Only available on tension adjustable upholstery and J3 Back</i>		
<input type="checkbox"/>	184VU1	Marines Patch \$90.00
<input type="checkbox"/>	184VU2	Army Patch \$90.00
<input type="checkbox"/>	184VU3	Navy Patch \$90.00
<input type="checkbox"/>	184VU4	Air Force Patch \$90.00
<input type="checkbox"/>	184VU5	Purple Heart Patch \$90.00
<input type="checkbox"/>	184VU8	Purple Heart with Marines Patch \$145.00
<input type="checkbox"/>	184VU9	Purple Heart with Army Patch \$145.00
<input type="checkbox"/>	184VU10	Purple Heart with Navy Patch \$145.00
<input type="checkbox"/>	184VU11	Purple Heart with Air Force Patch \$145.00

BACK POST OPTIONS (Standard or Angle Adjustable)		
<input type="checkbox"/>	184BP1	Push Handle Straight NC
<input type="checkbox"/>	184BP3	Push Handle 8° \$25.00 <i>Med. Or Tall only. NA on Angle Adjustable Backrest</i>
<input type="checkbox"/>	184BP2	Omit Push Handle Straight (NA w/HD) NC
<input type="checkbox"/>	184BP4	Omit Push Handle 8° (NA w/HD) \$25.00
<input type="checkbox"/>	184BP5	Angle Adj. Straight Push Handles NC
<input type="checkbox"/>	184BP6	Angle Adj. Omit Push Handles NC

BACK POST OPTIONS (Depth Adjustable Back)		
<input type="checkbox"/>	184BP33	DAB - Swing Away Stroller Handles \$100.00
<input type="checkbox"/>	184BP27	DAB - Post Standard NC
<input type="checkbox"/>	184BP28	DAB - Post Medium NC
<input type="checkbox"/>	184BP29	DAB - Post Tall NC

STROLLER HANDLES		
<input type="checkbox"/>	184SR2	Regular Stroller Handles \$125.00
<input type="checkbox"/>	184SR3	Tall Stroller Handles \$125.00
<input type="checkbox"/>	184SR6	Tall Stroller Handles (SA Arm) \$125.00 <i>NA w/xtender, depth adjustable back, amputee axle plate, push handles when angle adjustable back is selected, flip-back or flip-back height adjustable armrests, and JAY backs. Omit push handles. STD with DAB.</i>

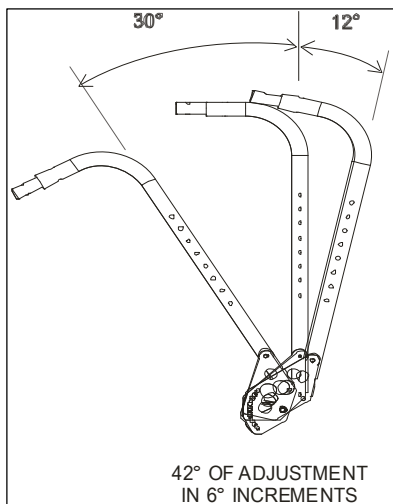
ANGLE ADJUSTABLE BACKREST PIVOT HEIGHT		
<i>Standard push handles only. Some interference with Padded SA arms</i>		
<i>Not available with flip-back or flip-back height adjustable armrests.</i>		
<input type="checkbox"/>	184AH1	Angle Adjustable Pivot 3" NC
<input type="checkbox"/>	184AH2	Angle Adjustable Pivot 4" NC
<input type="checkbox"/>	184AH3	Angle Adjustable Pivot 5" NC
<input type="checkbox"/>	184AH4	Angle Adjustable Pivot 6" NC
<input type="checkbox"/>	184AH5	Angle Adjustable Pivot 7" NC



ANGLE ADJUSTABLE BACKREST (+3°-15°)

Angle Adjustable Pre - Set Angle (OPTIONAL)

- 184BD5 Back Angle - 15° NC
- 184BD4 Back Angle - 12° NC
- 184BD3 Back Angle - 6° NC
- 184BD2 Back Angle - 0° NC
- 184BD1 Back Angle +3° NC



BACK HEIGHT

- 184B1 Low (9"-12") NC
- 184B5 Medium (12"-15") NC
- 184B9 Tall (16"-19") NC
- 184B66 Depth Adjustable 12" NC
- 184B67 Depth Adjustable 14" NC
- 184B68 Depth Adjustable 16" NC
- 184B69 Depth Adjustable 18" NC
- 184B70 Depth Adjustable 20" NC

BACK HEIGHT SETTING (Standard or Angle Adjustable)

- | | |
|---|---|
| <input type="checkbox"/> 184UX4 9" NC | <input type="checkbox"/> 184UX18 16" NC |
| <input type="checkbox"/> 184UX6 10" NC | <input type="checkbox"/> 184UX20 17" NC |
| <input type="checkbox"/> 184UX8 11" NC | <input type="checkbox"/> 184UX22 18" NC |
| <input type="checkbox"/> 184UX10 12" NC | <input type="checkbox"/> 184UX24 19" NC |
| <input type="checkbox"/> 184UX12 13" NC | <input type="checkbox"/> 184UX26 20" NC |
| <input type="checkbox"/> 184UX14 14" NC | <input type="checkbox"/> 184UX28 21" NC |
| <input type="checkbox"/> 184UX16 15" NC | 2 0" & 21" only with Ang. Adj. Back |

ANGLE ADJUSTABLE BACKREST CHART			
Back Tube Height	LOW	MEDIUM	TALL
Pivot Regular set at 3"	12" 13" 14"	15" 16" 17"	17" 18" 19"
Pivot Regular set at 4"	13" 14" 15"	16" 17" 18"	18" 19" 20"
Pivot Regular set at 5"	14" 15" 16"	17" 18" 19"	19" 20" 21"
Pivot Tall set at 5"	14" 15" 16"	17" 18" 19"	19" 20" 21"
Pivot Tall set at 6"	15" 16" 17"	18" 19" 20"	N/A
Pivot Tall set at 7"	16" 17" 18"	19" 20" 21"	N/A
Adjustable Pivot Point Preset Measurement from Seat Sling			
If back height option is not chosen, middle option will be preset.			

STABILIZER BAR

- 184SZ1 Stabilizer Bar \$105.00
Standard with Heavy Duty Package

ARMREST - PADDED SWING AWAY

- NA with depth adjustable back, transit, Xtender or Amputee axle
- Some limitations may exist with integral push handles, some RSTFHs and wheel sizes
- 184AA18 E0973 Padded Swing-Away STD (9" to 13") \$175.00
- | | | | | | |
|---------|----|-----|-----|-----|-----|
| Setting | 9" | 10" | 11" | 12" | 13" |
|---------|----|-----|-----|-----|-----|
- Please Circle*

ARMREST HEIGHT ADJUSTABLE

- 184AA11 E0973 Single Post Hgt. Adj. Std \$260.00
- 184AA29 E0973 Single Post Hgt. Adj. Low \$260.00

FLIP BACK ARMREST

- NA with depth adjustable back, Xtender, small frame, amputee axle
- highest axle on rounded rear frame, angle adjustable back, Unilat. wheel lock
- 184AA6 E0973 Flip Back Height Adj (Classic) \$275.00
 - 184AA65 E0973 Flip Back Height Adj (LITE) \$275.00
 - 184AA5 K0015 Flip Back NC

FLIP UP ARMREST (for use with Depth Adjustable Back)

- Requires an "Ampad Foam" from the "Arm Pad - Height Adj." section below
- 184AA7 E0973 Length Adjustable Locking Flip-up \$260.00
 - 184AA1 E0973 Adj. Locking Flip-up \$250.00

OMIT ARMREST

- 184AA14 Omit Armrest NC

ARM PAD - HEIGHT ADJUSTABLE

- For Flip Back, Single Post, and Flip Up. Contour pad not recommended for Tray tables
- Contour only available with Single Post Height Adjustable.
- 184AM23 Desk Length - Classic (10") NC
 - 184AM21 Desk Length - Contour (10") NC
 - 184AM24 Full Length - Classic (14") NC
 - 184AM22 Full Length - Contour (14") NC
 - 184AM9 Armpad Foam - Short (Flip Up armrests) NC
 - 184AM10 Armpad Foam - Long (Flip Up armrests) NC

WHEEL LOCK

- Ergo & Compact NA with Short Frame or Amputee Axle Plate.
- Additional No Gos may exist depending on wheel size and position
- 184WL1 High Mount Push NC
 - 184WL2 High Mount Pull NC
 - 184WL27 Ergo Scissor \$100.00
 - 184WL30 Compact \$125.00
 - 184WL10 Omit NC

WHEEL LOCK OPTION

- 184WL12 Do Not Mount NC

EXTENSION HANDLE

- NA w/ Ergo Scissor, or Compact Wheel Locks
- 184EH1 E0961 6" Pair \$75.00

GRADE AID

- 184GA1 E0974 Grade Aid \$150.00
- Not available with polyurethane, Kik, Schwalbe or high pressure clincher tires. Also not available with short frame, Ergo Scissor or Compact wheel locks.*

SEAT SLING

<input type="checkbox"/>	184SL1	Standard Seat Sling	NC
<input type="checkbox"/>	184SL6	Omit Seat Sling	-\$15.00

CUSHION

<input type="checkbox"/>	184CU1	E2601 2" Cushion	\$95.00
--------------------------	--------	------------------	---------

JAY CUSHION

Please see the Jay Price List

<input type="checkbox"/>	184JC01	JAY Basic (E2601 or E2602)	Price List
<input type="checkbox"/>	184JC02	JAY Easy (E2607 or E2608)	Price List
<input type="checkbox"/>	184JC03	JAY Soft Combi P (E2605 or E2608)	Price List
<input type="checkbox"/>	184JC06	JAY Lite (E2603 or E2607)	Price List
<input type="checkbox"/>	184JC04	JAY J2 (K0734 or K0735)	Price List
<input type="checkbox"/>	184JC05	JAY J2 Deep Contour (K0734 or K0735)	Price List
<input type="checkbox"/>	184JC07	JAY J3 (K0734/5 or K0736/7)	Price List

SIDE GUARD

Plastic Side Guards NA w/Height Adj. Arms

Side guard interference with Padded SA arms at some heights may exist

<input type="checkbox"/>	184SG33	K0108 Plastic Standard (8.5" High)	\$125.00
<input type="checkbox"/>	184SG29	K0108 Plastic Low (6.5" High)	\$125.00

ANTI-TIP

<input type="checkbox"/>	184AT1	E0971 Rear Anti-Tip (Included with Xtender)	\$ 135.00
--------------------------	--------	---	-----------

TRANSIT OPTION

NA with padded Swing Away Arms, Stroller Handles or Xtender

<input type="checkbox"/>	184TO1	Transit System	\$315.00
--------------------------	--------	----------------	----------

BACKPACK

<input type="checkbox"/>	184A1	Quickie Backpack Black	\$55.00
<input type="checkbox"/>	184A2	Quickie Kids Backpack Black	\$50.00

SEAT POUCH

<input type="checkbox"/>	184A8	Quickie Seat Pouch Black	\$45.00
--------------------------	-------	--------------------------	---------

ADDITIONAL COVER & PACK ACCESSORIES

<input type="checkbox"/>	184A500	Gel Cover Hanger/Frame	\$105.00
<input type="checkbox"/>	184A994	Gel Cover Swing Away Arm	\$105.00

POSITIONING BELTS

<input type="checkbox"/>	184A141	E0978 Belt 1.5" Auto Buckle w/Clamps	\$70.00
<input type="checkbox"/>	184A117	E0978 Belt 2" Aircraft Buckle w/Clamps	\$110.00
<input type="checkbox"/>	184A118	E0978 Belt 2" Aircraft Buckle Pad w/Clamp	\$120.00
<input type="checkbox"/>	184A120	K0108 Positioning Belt Slide Clamps	\$50.00

SPOKE GUARDS

<input type="checkbox"/>	184A302	K0065 Quickie Clear Spoke Guards	\$115.00
<input type="checkbox"/>	184A23	K0065 Quickie Black Spoke Guards	\$115.00

MISCELLANEOUS

<input type="checkbox"/>	184A82	Caddy (NA w/ front mount hangers)	\$45.00
<input type="checkbox"/>	184A49	E2207 Crutch Holder	\$195.00
<input type="checkbox"/>	184A55	K0038 Extra Leg Strap Black	\$30.00
<input type="checkbox"/>	184IG2	Impact Guard Neoprene	\$85.00
<input type="checkbox"/>	184A73	K0105 IV Holder	\$275.00
<input type="checkbox"/>	184A145	E2208 O2 Holder (NA w/ Transit Option)	\$310.00
<input type="checkbox"/>	184A83	Tool Kit	\$45.00
<input type="checkbox"/>	184A31	E0950 Tray Table	\$250.00

FRAME COLOR

<input type="checkbox"/>	184C2	Black	NC
<input type="checkbox"/>	184C10	Black Opal	NC
<input type="checkbox"/>	184C38	Blue Opal	NC
<input type="checkbox"/>	184C36	Candy Blue	NC
<input type="checkbox"/>	184C35	Candy Red	NC
<input type="checkbox"/>	184C128	Copper	NC
<input type="checkbox"/>	184C6	Forest Green	NC
<input type="checkbox"/>	184C127	Fuchsia	NC
<input type="checkbox"/>	184C126	Glow	NC
<input type="checkbox"/>	184C4	Midnight Purple	NC
<input type="checkbox"/>	184C5	Pearl Pink	NC
<input type="checkbox"/>	184C103	Rootbeer	NC
<input type="checkbox"/>	184C114	Sparkle Silver	NC
<input type="checkbox"/>	184C113	Titanium Color Paint	NC
<input type="checkbox"/>	184C11	Toxic Green	NC
<input type="checkbox"/>	184C8	Yellow	NC

CUSTOM FRAME COLOR

<input type="checkbox"/>	184C112	Desert Camouflage	\$295.00
<input type="checkbox"/>	184C43	Mossy Oak Camouflage	\$295.00
<input type="checkbox"/>	184C42	Stars & Stripes	\$295.00
<input type="checkbox"/>	184C108	Zebra (Choose above base color)	\$295.00

Std with White unless above base paint is chosen

NA with Black.

BUILT 4 ME

To inquire about any unique customization for Quickie products, contact:

Phone: (800) 333 - 4000, Option #3, Fax: (800) 333 9011

**ORDERING INFORMATION PHONE: (800) 333-4000, FAX: (800) 300-7502, WEBSITE: www.sunrisemedical.com**

Specifications are subject to change without notice. Copyright © 2009, Sunrise Medical (US) LLC. (9.09). Quickie 2 - Page 7 of 8 112252 Rev. J

***Quickie 2 Seat To Floor Height Matrix - Standard Frame (Hemi subtract 2")**

All 3" Casters						
Fork Size	Stem Size	Bolt Position				
		5	4	3	2	1
Multi Position Short	Std	-	-	-	16.5	17.0
	3/4"	-	-	-	17.0	17.5
Multi Position Tall	Std	-	-	-	18.5	19.0
	3/4"	-	-	-	19.0	19.5
3"	Std	-	-	-	-	15.0
	3/4"	-	-	-	-	15.5
5 1/4"	Std	-	-	-	-	17.0
	3/4"	-	-	-	-	18.0
6"	Std	-	-	-	-	18.0
	3/4"	-	-	-	-	18.5
7"	Std	-	-	-	-	19.0
	3/4"	-	-	-	-	19.5
8" X 2"	Std	-	-	-	-	-
	3/4"	-	-	-	-	-
Frog Legs	Std	-	-	-	16.5	17.0
	1 1/2"	-	-	-	18.0	18.5

All 4" Casters						
Fork Size	Stem Size	Bolt Position				
		5	4	3	2	1
Multi Position Short	Std	-	-	-	16.5	17.0
	3/4"	-	-	-	17.5	18.0
Multi Position Tall	Std	-	-	-	18.5	19.0
	3/4"	-	-	-	19.5	20.0
3"	Std	-	-	-	-	-
	3/4"	-	-	-	-	-
5 1/4"	Std	-	-	-	16.5	17.0
	3/4"	-	-	-	18.0	18.5
6"	Std	-	-	-	-	18.0
	3/4"	-	-	-	-	18.5
7"	Std	-	-	-	-	19.0
	3/4"	-	-	-	-	19.5
8" X 2"	Std	-	-	-	-	-
	3/4"	-	-	-	-	-
Frog Legs	Std	-	-	-	16.5	17.0
	1 1/2"	-	-	-	18.0	18.5

All 5" Casters						
Fork Size	Stem Size	Bolt Position				
		5	4	3	2	1
Multi Position Short	Std	-	-	-	16.5	17.0
	3/4"	-	-	-	17.5	18.0
Multi Position Tall	Std	-	-	-	18.5	19.0
	3/4"	-	-	-	19.5	20.0
3"	Std	-	-	-	-	-
	3/4"	-	-	-	-	-
5 1/4"	Std	-	-	-	17.0	17.5
	3/4"	-	-	-	18.5	19.0
6"	Std	-	-	-	-	18.0
	3/4"	-	-	-	-	18.5
7"	Std	-	-	-	-	19.0
	3/4"	-	-	-	-	19.5
8" X 2"	Std	-	-	-	-	-
	3/4"	-	-	-	-	-
Frog Legs	Std	-	-	-	17.5	18.0
	1 1/2"	-	-	-	19.0	19.5

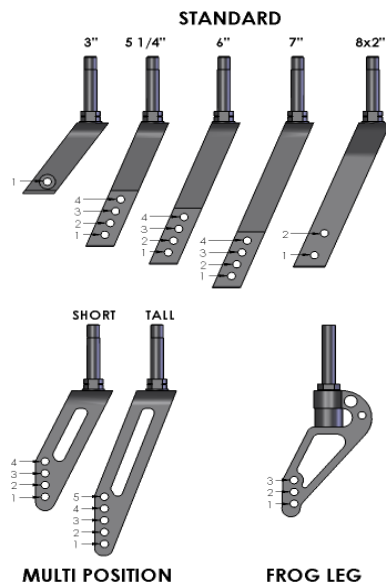
All 6" Casters						
Fork Size	Stem Size	Bolt Position				
		5	4	3	2	1
Multi Position Short	Std	-	-	-	17.0	17.5
	3/4"	-	-	-	18.5	19.0
Multi Position Tall	Std	18.0	18.5	19.0	19.5	20.0
	3/4"	-	-	-	20.5	21.0
3"	Std	-	-	-	-	-
	3/4"	-	-	-	-	-
5 1/4"	Std	-	-	-	17.5	18.0
	3/4"	-	-	-	18.5	19.0
6"	Std	-	-	-	17.5	18.0
	3/4"	-	-	-	19.5	20.0
7"	Std	-	-	-	18.5	19.0
	3/4"	-	-	-	20.5	21.0
8" X 2"	Std	-	-	-	-	-
	3/4"	-	-	-	-	-
Frog Legs	Std	-	-	-	-	18.5
	1 1/2"	-	-	-	-	20.0

All 7" Casters						
Fork Size	Stem Size	Bolt Position				
		5	4	3	2	1
Multi Position Short	Std	-	-	-	-	19.0
	3/4"	-	-	-	-	19.5
Multi Position Tall	Std	-	-	-	19.5	20.0
	3/4"	-	-	-	21.0	21.5
3"	Std	-	-	-	-	-
	3/4"	-	-	-	-	-
5 1/4"	Std	-	-	-	-	18.5
	3/4"	-	-	-	-	19.5
6"	Std	-	-	-	19.0	19.5
	3/4"	-	-	-	20.0	20.5
7"	Std	-	-	-	19.5	20.0
	3/4"	-	-	-	21.0	21.5
8" X 2"	Std	-	-	-	-	-
	3/4"	-	-	-	-	-
Frog Legs	Std	-	-	-	-	-
	1 1/2"	-	-	-	-	-

All 8" x 1.5" Casters						
Fork Size	Stem Size	Bolt Position				
		5	4	3	2	1
Multi Position Short	Std	-	-	-	-	-
	3/4"	-	-	-	-	-
Multi Position Tall	Std	-	-	-	-	-
	3/4"	-	-	-	-	-
3"	Std	-	-	-	-	-
	3/4"	-	-	-	-	-
5 1/4"	Std	-	-	-	-	18.5
	3/4"	-	-	-	-	19.5
6"	Std	-	-	-	19.0	19.5
	3/4"	-	-	-	20.0	20.5
7"	Std	-	-	-	19.5	20.0
	3/4"	-	-	-	21.0	21.5
8" X 2"	Std	-	-	-	-	-
	3/4"	-	-	-	-	-
Frog Legs	Std	-	-	-	-	-
	1 1/2"	-	-	-	-	-

All 8" x 2" Casters						
Fork Size	Stem Size	Bolt Position				
		5	4	3	2	1
Multi Position Short	Std	-	-	-	-	-
	3/4"	-	-	-	-	-
Multi Position Tall	Std	-	-	-	-	-
	3/4"	-	-	-	-	-
3"	Std	-	-	-	-	-
	3/4"	-	-	-	-	-
5 1/4"	Std	-	-	-	-	-
	3/4"	-	-	-	-	-
6"	Std	-	-	-	-	-
	3/4"	-	-	-	-	-
7"	Std	-	-	-	-	-
	3/4"	-	-	-	-	-
8" X 2"	Std	-	-	-	19.5	20.5
	3/4"	-	-	-	20.0	21.0
Frog Legs	Std	-	-	-	-	-
	1 1/2"	-	-	-	-	-

All Other 8" Casters						
Fork Size	Stem Size	Bolt Position				
		5	4	3	2	1
Multi Position Short	Std	-	-	-	-	-
	3/4"	-	-	-	-	-
Multi Position Tall	Std	19.0	19.5	20.0	20.5	21.0
	3/4"	-	-	-	21.5	22.0
3"	Std	-	-	-	-	-
	3/4"	-	-	-	-	-
5 1/4"	Std	-	-	-	-	19.5
	3/4"	-	-	-	-	20.0
6"	Std	-	-	-	-	19.5
	3/4"	-	-	-	-	20.5
7"	Std	-	-	-	19.5	20.0
	3/4"	-	-	-	21.5	22.0
8" X 2"	Std	-	-	-	-	-
	3/4"	-	-	-	-	-
Frog Legs	Std	-	-	-	-	-
	1 1/2"	-	-	-	-	-



* Values Given are Estimates. Actual seat to floor height may vary based on depth and rear seat to floor height selection.

ORDERING INFORMATION PHONE: (800) 333-4000, FAX: (800) 300-7502, WEBSITE: www.sunrisemedical.com

Specifications are subject to change without notice. Copyright © 2009, Sunrise Medical (US) LLC. (9.09). Quickie 2 - Page 8 of 8 112252 Rev. J