

OWNER'S OPERATING &
MAINTENANCE MANUAL



S300 Stretchchair



S550, S750, & S999 Bariatric Stretchchair



“Patient Comfort is Our Most Important Product.”



PLEASE DO NOT DISCARD THIS MANUAL! KEEP FOR FUTURE REFERENCE AND TRAINING

TABLE OF CONTENTS/WARRANTY

IMPORTANT SAFETY INFORMATION.....	2-7
CHAIR SPECIFICATIONS.....	8-9
OPERATING INSTRUCTIONS.....	10-14
GENERAL MAINTENANCE.....	15-17
CONTACT & WARRANTY INFORMATION.....	BACK COVER

UNPACKING

1. CAREFULLY EXAMINE YOUR PRODUCT FOR ANY DAMAGE. INSPECT ALL COMPONENTS. IF DAMAGE IS EVIDENT, CONTACT FREIGHT CARRIER OR WINCO IMMEDIATELY.
2. REMOVE ALL PACKING MATERIAL AND HARDWARE THAT WAS SECURED FOR SHIPPING.
3. CAREFULLY REMOVE ALL OF THE COMPONENTS FROM THE CARTON.
4. SAVE ALL BOXES AND PACKING MATERIAL UNTIL AFTER YOU HAVE ASSEMBLED YOUR PRODUCT AND HAVE VERIFIED THAT ALL COMPONENTS ARE FUNCTIONING PROPERLY.

Winco assumes no responsibility for damage or injury caused by the improper assembly, installation, use or maintenance of these products.



PLEASE READ THIS ENTIRE MANUAL BEFORE USING CHAIR. DO NOT INSTALL, MAINTAIN OR OPERATE THIS EQUIPMENT WITHOUT READING AND FOLLOWING THIS MANUAL. OTHERWISE INJURY AND/OR DAMAGE MAY RESULT.

THE INFORMATION CONTAINED IN THIS MANUAL IS SUBJECT TO CHANGE WITHOUT NOTICE. **SAVE THESE INSTRUCTIONS FOR FUTURE REFERENCE!**

NO PART OF THIS MANUAL MAY BE DUPLICATED IN ANY FORM WITHOUT THE PRIOR CONSENT OF WINCO, INC. UNAUTHORIZED DUPLICATION MAY RESULT IN CIVIL PROSECUTION TO THE MAXIMUM EXTENT ALLOWED BY LAW.

IMPORTANT - PLEASE READ



Read all instructions before using this product.

IMPORTANT SAFETY INSTRUCTIONS - SAVE THESE INSTRUCTIONS
To reduce the risk of electric shock when using an electrical appliance, basic precautions should always be followed, including the following:

DANGER: Always unplug this product from the electrical outlet before cleaning, maintenance or when putting on or taking off parts.

WARNING:

1. Unplug this product from the electrical outlet if this product is not being used for extended periods of time.
2. Supervision should be provided when this product is used by, on, or near children, invalids, or disabled persons.
3. Use this product only for its intended use as described in this manual. Do not use attachments that are not recommended by the manufacturer.
4. Never operate this product if it has a damaged cord or plug, if it is not working properly, if it has been dropped or damaged, or dropped into water. Contact your Winco authorized dealer.
5. DO NOT carry or pull this product by power supply cord or use the cord as a handle.
6. Keep the cord away from heated surfaces.
7. Do not use outdoors.
8. To disconnect, turn all controls to the "off" position, then remove plug from outlet. Do not "yank" cord.
9. Clean electrical components with a damp cloth only – Warranty will be VOID if liquid is introduced into electrical components
10. Use only a certified extension cord that is rated at 15 amperes; extension cords rated for less amperage may over heat. Care should be taken to arrange the cord so that the cord cannot be pulled or tripped over.
11. DO NOT run chair or other equipment over cord.
12. This chair comes with a grounded three blade plug, if the plug does not fit into the outlet; contact a certified electrician to install the proper outlet. DO NOT MODIFY THE PLUG IN ANY WAY.

DANGER: KEEP DRY - Do not operate in a wet condition or environment.

WARNING: Connect this product to a properly grounded outlet only.

IMPORTANT - PLEASE READ



1. READ AND FOLLOW ALL DIRECTIONS.
2. These chairs are not to be used in the presence of a flammable anesthetic mixture with air, oxygen, or nitrous oxide.
3. DO NOT allow children or pets to play on, under, or around the Stretchair.
4. DO NOT put hands, feet or clothing into any openings when changing positions or adjusting arms/legrests on chair. Attendant MUST confirm that users arms, legs, hands and feet are safe while changing chair positions or SERIOUS INJURY MAY RESULT.
5. Lock casters at all times, except when moving the chair.
6. STAY CLEAR of the lift & recline mechanisms.
7. DO NOT use chair for transporting in or with ANY type of vehicle or trailer. Winco chairs have not been tested or approved for use by an occupant in any type of vehicle or trailer.
8. NEVER use the chair arms or backrest as a seat; SERIOUS INJURY or damage may occur.
9. Periodically check the tightness of all nuts, bolts and screws.
10. Immediately REMOVE FROM SERVICE; Any chair with broken mechanisms, torn upholstery, or other mechanical or visible damage.
11. NEVER transport user with chair arms in a "down" position.
12. USE ONLY WINCO AUTHORIZED REPLACEMENT PARTS.
13. NEVER EXCEED the recommended weight capacity. **(See Pages 5-6)**
14. DO NOT transport patient with chair in the layflat position.
15. ONLY transport patients with the hydraulics in their LOWEST position.
16. DO NOT stand on footrest.
17. Secure Patient with safety belt at ALL times.

IMPORTANT - PLEASE READ

S300, S550, S750 & S999 LABELS

READ ALL INSTRUCTIONS BEFORE OPERATING

THE S300 , S550, S750 & S999 SHOULD ONLY BE OPERATED BY AUTHORIZED PERSONNEL

THESE CHAIRS ARE NOT TO BE USED IN THE PRESENCE OF A FLAMMABLE ANESTHETIC MIXTURE WITH AIR, OXYGEN, OR NITROUS OXIDE

Stretchair
by **Winco**

Winco, Inc., 5516 S.W. 1st Lane, Ocala, FL 34474
800-237-3377 www.wincomfg.com

Supply: 24V IP XX
Operating Conditions:
10° - 40° C
30% - 70% Humidity
100hPa - 1060hPa Pres.

Follow Instructions For use

Use by Authorized Personnel Only

Op. : Actuators & Lift - 10%, Max. 2min / 18min

Conforms to UL Std. 60601-1
Certified to: CAN/CSA Std C22.2 No. 601.1

(MDD 93/42/ECC)
MDSS GmbH
Burckhardtstr. 1
D-30163 Hannover
Germany
CE

Model # S300
Serial # S300100001
Weight Capacity 300 lbs.

Model # S550
Serial # S550100001
Weight Capacity 550 lbs.

Model # S750
Serial # S750100001
Weight Capacity 750 lbs.

Model # S999
Serial # S999100001
Weight Capacity 1000 lbs.

SYMBOLS

	FOLLOW INSTRUCTIONS		SITTING PROHIBITED
	TYPE B APPLIED PART	IP XX	PROTECTION LEVEL
	GENERAL WARNING SIGN		DC VOLTAGE
	WARNING - DANGEROUS VOLTAGE		RF Communications Equipment

Products with the following markings are intended for commercial use only.



Independent U.S. product-safety testing certification by Nationally Recognized Testing Laboratory (NRTL)



Meets European Union (EU) health, safety & environmental requirements

IMPORTANT - PLEASE READ

1	Guidance and manufacturer's declaration –electromagnetic emissions	
2	The Stretchchair is intended for use in the electromagnetic environment specified below. The customer or the user of the Stretchchair should assure that it is used in such an environment.	
3	Emissions test	Compliance
4	RF emissions CISPR 11	Group 1
6	RF emissions CISPR 11	Class B
7	Harmonic emissions IEC 61000-3-2	Not Applicable
8	Voltage fluctuations / flicker emissions IEC 61000-3-3	Not Applicable
		Electromagnetic environment – guidance
		The Stretchchair uses RF energy only for its internal function. Therefore, its RF emissions are very low and are not likely to cause any interference in nearby electronic equipment.
		The Stretchchair is suitable for use in all establishments, including domestic establishments and those directly connected to the public low-voltage power supply network that supplies buildings used for domestic purposes.

Recommended separation distances between portable and mobile RF communications equipment and the Stretchchair

The Stretchchair is intended for use in an electromagnetic environment in which radiated RF disturbances are controlled. The customer or the user of the Stretchchair can help prevent electromagnetic interference by maintaining a minimum distance between portable and mobile RF communications equipment (transmitters) and the Stretchchair as recommended below, according to the maximum output power of the communications equipment.

Rated maximum output power of transmitter W	Separation distance according to frequency of transmitter m		
	150 kHz to 80 MHz $d = 1.2\sqrt{P}$	80 MHz to 800 MHz $d = 1.2\sqrt{P}$	800 MHz to 2,5 GHz $d = 2.3\sqrt{P}$
0,01	0.12	0.12	0.23
0,1	0.38	0.38	0.73
1	1.2	1.2	2.3
10	3.8	3.8	7.3
100	12	12	23

For transmitters rated at a maximum output power not listed above, the recommended separation distance d in meters (m) can be estimated using the equation applicable to the frequency of the transmitter, where P is the maximum output power rating of the transmitter in watts (W) according to the transmitter manufacturer.


NOTE 1 At 80 MHz and 800 MHz, the separation distance for the higher frequency range applies.

NOTE 2 These guidelines may not apply in all situations. Electromagnetic propagation is affected by absorption and reflection from structures, objects and people.

IMPORTANT - PLEASE READ

Guidance and manufacturer's declaration –electromagnetic immunity

The Stretchchair is intended for use in the electromagnetic environment specified below. The customer or the user of the Stretchchair should assure that it is used in such an environment.

Immunity test	IEC 60601 test level	Compliance level	Electromagnetic environment – guidance
<p>Conducted RF IEC 61000-4-6</p> <p>Radiated RF IEC 61000-4-3</p>	<p>3 Vrms 150 kHz to 80 MHz</p> <p>3 V/m 80 MHz to 2,5 GHz</p>	<p>3 Vrms</p> <p>3 V/m</p>	<p>Portable and mobile RF communications equipment should be used no closer to any part of the Stretchchair, including cables, than the recommended separation distance calculated from the equation applicable to the frequency of the transmitter.</p> <p>Recommended separation distance</p> $d = 1.2\sqrt{P}$ $d = 1.2\sqrt{P} \quad 80 \text{ MHz to } 800 \text{ MHz}$ $d = 2.3\sqrt{P} \quad 800 \text{ MHz to } 2,5 \text{ GHz}$ <p>Where P is the maximum output power rating of the transmitter in watts (W) according to the transmitter manufacturer and d is the recommended separation distance in meters (m).</p> <p>Field strengths from fixed RF transmitters, as determined by an electromagnetic site survey, ^a should be less than the compliance level in each frequency range. ^b</p> <p>Interference may occur in the vicinity of equipment marked with the following symbol:</p> <div style="text-align: center;">  </div>

NOTE 1 At 80 MHz and 800 MHz, the higher frequency range applies.

NOTE 2 These guidelines may not apply in all situations. Electromagnetic propagation is affected by absorption and reflection from structures, objects and people.

^a Field strengths from fixed transmitters, such as base stations for radio (cellular/cordless) telephones and land mobile radios, amateur radio, AM and FM radio broadcast and TV broadcast cannot be predicted theoretically with accuracy. To assess the electromagnetic environment due to fixed RF transmitters, an electromagnetic site survey should be considered. If the measured field strength in the location in which the Stretchchair is used exceeds the applicable RF compliance level above, the Stretchchair should be observed to verify normal operation. If abnormal performance is observed, additional measures may be necessary, such as re-orienting or relocating the Stretchchair.

^b Over the frequency range 150 kHz to 80 MHz, field strengths should be less than 3 V/m.

IMPORTANT - PLEASE READ

Guidance and manufacturer's declaration –electromagnetic immunity

The Stretchchair is intended for use in the electromagnetic environment specified below. The customer or the user of the Stretchchair should assure that it is used in such an environment.

Immunity test	IEC 60601 test level	Compliance level	Electromagnetic environment – guidance
Electrostatic discharge (ESD) IEC 61000-4-2	±6 kV contact ±8 kV air	±6 kV contact ±8 kV air	Floors should be wood, concrete or ceramic tile. If floors are covered with synthetic material, the relative humidity should be at least 30 %.
Electrical fast transient/burst IEC 61000-4-4	±2 kV for power supply lines ±1 kV for input/output lines	±2 kV for power supply lines ±1 kV for input/output lines	Mains power quality should be that of a typical commercial or hospital environment.
Surge IEC 61000-4-5	±1 kV differential mode ±2 kV common mode	±1 kV differential mode ±2 kV common mode	Mains power quality should be that of a typical commercial or hospital environment.
Voltage dips, short interruptions and voltage variations on power supply input lines IEC 61000-4-11	<5 % U_T (>95 % dip in U_T) for 0,5 cycle 40 % U_T (60 % dip in U_T) for 5 cycles 70 % U_T (30 % dip in U_T) for 25 cycles <5 % U_T (>95 % dip in U_T) for 5 sec	<5 % U_T (>95 % dip in U_T) for 0,5 cycle 40 % U_T (60 % dip in U_T) for 5 cycles 70 % U_T (30 % dip in U_T) for 25 cycles <5 % U_T (>95 % dip in U_T) for 5 sec	Mains power quality should be that of a typical commercial or hospital environment. If the user of the Stretchchair requires continued operation during power mains interruptions, it is recommended that the Stretchchair be powered from an uninterruptible power supply or a battery.
Power frequency (50/60 Hz) magnetic field IEC 61000-4-8	3 A / m	3 A / m	Power frequency magnetic fields should be at levels characteristic of a typical location in a typical commercial or hospital environment.

NOTE U_T is the a.c. mains voltage prior to application of the test level.

CHAIR SPECIFICATIONS

S300		S550	
28"Overall Width.....	34"	
53.5"Overall Height.....	53.5"	
22"Seat Height.....	22"	
19.5"Seat Width.....	25"	
72"Layflat Length.....	72"	
22"-38"Vertical Lift (Chair).....	22"-38"	
22"-38"Vertical Lift (Layflat).....	22"-38"	
219 lbs.Chair Weight.....	290 lbs.	
300 lbs.Weight Capacity.....	550 lbs.	



S750		S999	
37"Overall Width.....	41"	
53.5"Overall Height.....	53.5"	
22"Seat Height.....	22"	
28"Seat Width.....	31"	
72"Layflat Length.....	72"	
22"-30"Vertical Lift (Chair).....	22"-30"	
30"-38"Vertical Lift (Layflat).....	30"-38"	
303 lbs.Chair Weight.....	312 lbs.	
750 lbs.Weight Capacity.....	1000 lbs.	

Visit our website www.wincomfg.com/product-documents/parts-lists for a complete parts list of your chair or call Customer Service @ 1-800-237-3377 to request it by mail.

OPERATING INSTRUCTIONS

Assisting Patient Into Stretchair

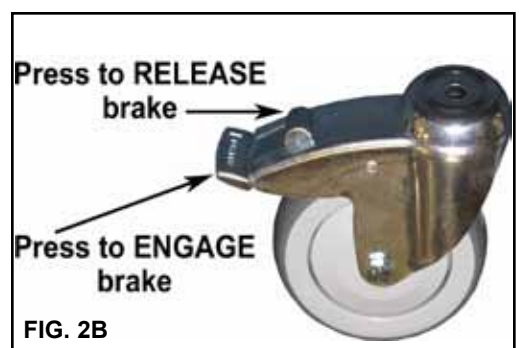
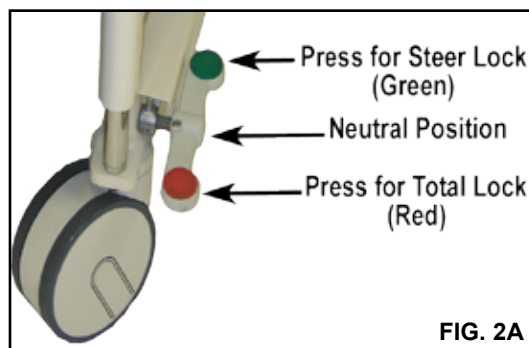
1. Stretchair should be in upright position. **(FIG. 1)**
2. Apply central locking wheel brakes (S675 & S999) or all 3 total lock casters (S300). **(FIG. 2a-2b)**
3. Adjust armrests to the DOWN position. **(SEE PAGE 13)**
4. Pivot the footrests to upright position with the padded surface facing outward. **(FIG. 1)**
5. Assist patient into chair and secure them with the safety belt provided.
6. Pivot the footrests down and adjust them to a position that's comfortable for the patient. **(SEE PAGE 9)**
7. Adjust armrest/side rail height to suit the patient. **(SEE PAGE 13)**

Moving Patient in Chair Position

1. If the vertical lift has been engaged return chair to it's lowest position and recline the Stretchair slightly using the handset control. **(FIG. 3)**
2. Unlock the wheels and secure the wheels in the "steer lock" position. **(FIG. 2A or 2B)**
4. Secure the patient in the chair using the safety belt.
3. Push chair from behind using the back handle.

Converting Chair to Layflat Position

1. Lock wheels. **(FIG. 2a-2b)**
2. Adjust the armrests to their fully upright position.
3. Secure the patient's arms in front of their chest.
4. Raise the patient's legs and pivot the footrests to the up position. **(FIG. 1)**
5. Using the handset control place the chair in the layflat position. **(FIG. 3 & 4)**



WARNING

DO NOT stand or sit on the footrest.
DO NOT place hands, legs or feet under seat, legrest or footrest. Stay clear of all moving parts.
KEEP CHILDREN AWAY from the underside of chair.
Injury may occur.

OPERATING INSTRUCTIONS

Converting Layflat Position to Chair

1. Lock wheels (**FIG. 2A or 2B**)
2. Keep armrest/side-rails in the fully upright position. (**SEE PAGE 13 FIG.3**)
3. Secure patients arms in front of their chest
4. Using the handset control, return the chair to its sitting position. (**FIG. 1**)
5. Raise the patient's legs and lower the footrests. Adjust to a suitable height for the patient. (**SEE PAGE 12**)
6. Armrests can now be lowered to a comfortable height for the patient.
7. Secure patient into chair with safety belt

Assisting Patient Out of Chair

1. Lock wheels (**FIG. 2A or 2B**)
2. If the vertical lift has been engaged return chair to it's lowest position using the handset control. (**FIG. 3**)
3. Completely lower the armrests. (**FIG. 1**)
4. Disconnect the patients safety belt.
5. Carefully lift the patient's legs and return the footrests to their upright position. (**FIG. 1**)
6. Using the stand assist grips the patient can now exit the chair.

Transfer of Patient From Chair to Bed

1. Position the layflat positioned chair as close as possible to the bed or table.
2. Follow steps to convert chair to layflat position. (**SEE PAGE 10**)
3. Using the handset control (**FIG. 3**), adjust the height of the layflat positioned chair to match that of the bed or table.
4. Completely lower the armrest/side-rail on the unloading side of the chair ONLY. (**FIG. 4**)
5. Lock wheels (**FIG. 2A or 2B**)
6. Transfer patient to bed or table using the appropriate amount of attendants for a safe transfer. (*A transfer board or sheet may be used for easier transfer*)

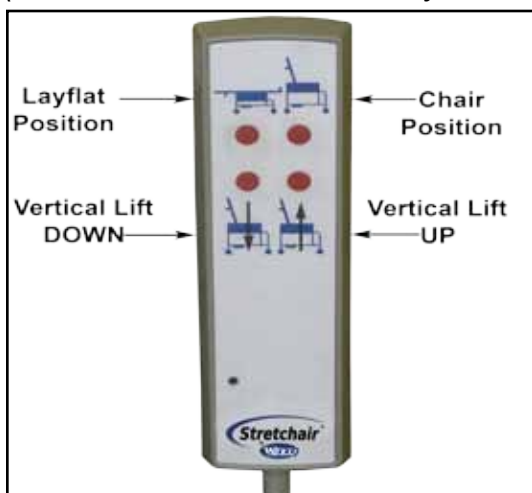


FIG. 3



FIG. 4

OPERATING INSTRUCTIONS

SWING-LEG OPERATING INSTRUCTIONS

The swing-leg is designed to elevate one or both patient's legs to a comfortable or prescribed position. Once the leg is elevated it will remain at a fixed angle, relative to a patient's thigh, regardless of the chair angle.

Desired positioning of legs can be achieved with 4 length settings and infinite elevation adjustments.

In the layflat position, the swing legs are NOT adjustable.

Adjusting Swing-leg for Patient Comfort

1. The Stretcher **MUST BE** in the upright position.
2. Depress the swing-leg release handle and adjust to desired elevation. **(FIG. 5)**
 - Footrests can be pivoted to "cushion up" position for added patient comfort or can be left in "cushion down" position.
3. To adjust footrest to 1 of its 4 extended positions, push or pull on the footrest while pulling down on the spring plunger. **(FIG. 6)**
4. Once the desired length is found release the spring plunger and push or pull the footrest to ensure the footrest has locked into position.
5. Use the handset control to adjust the chair angle for additional patient comfort.



FIG. 5

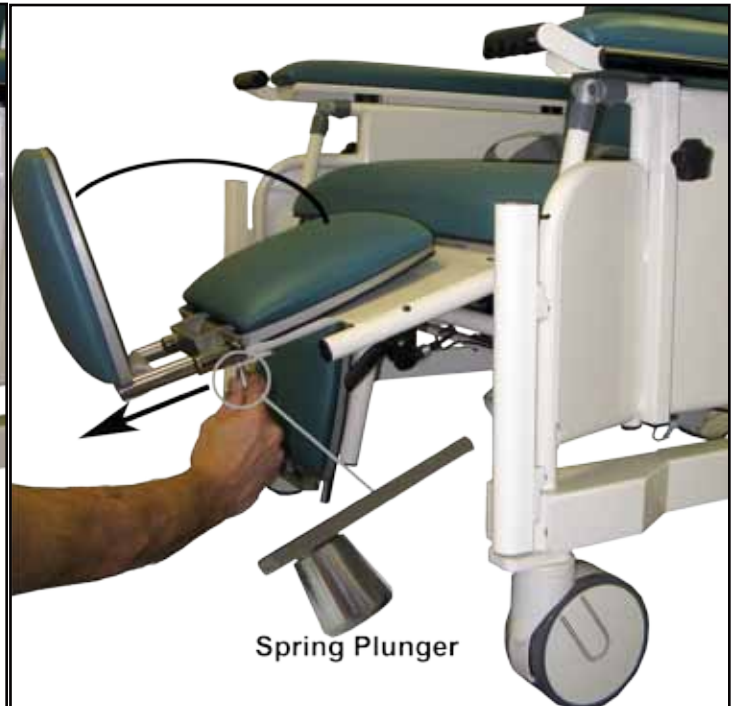


FIG. 6

OPERATING INSTRUCTIONS

ADJUSTABLE ARMREST INSTRUCTIONS

The Stretchair armrests are adjustable to enhance the patients comfort while sitting (**FIG. 7**), and act as guard-rails while the chair is in the layflat position. (**FIG. 9**)

Caution: DO NOT allow patients to use the stand assist grips or attempt to exit the chair until the armrests have been adjusted to their lowest position, and the wheels have been locked.

Adjusting Armrests for Patient Comfort

1. Ensure that the patient's arms are not resting on the armrest prior to adjustment.
2. Loosen the armrest knobs. (**FIG. 8**)
 - BOTH adjustment knobs must be loosened for adjustment.
3. Adjust the height of the armrests to a desired height
4. Tighten BOTH armrest knobs while holding the armrest in the desired position.
 - BOTH adjustment knobs must be tighten to remain secure

IMPORTANT: Armrests must be adjusted to their highest height while the patient is in the LAYFLAT position. (**FIG. 9**)

IMPORTANT: Armrests are NOT interchangeable



FIG. 7



FIG. 8



FIG. 9

OPERATING INSTRUCTIONS

LINAK BATTERY & CONTROL BOX INSTRUCTIONS

- To charge battery **BE SURE** the emergency stop is in the "OUT" position.
 - *Battery **WILL NOT** charge if the emergency stop is engaged.
- Keep patients away from Stretchair while it's charging.
- Battery **MUST BE** fully charged prior to **FIRST** use.
- Without a battery back-up **DO NOT** allow chair to run with less than a 50% charge.
- Battery cannot be over-charged using the charging unit provided and the instructions given.

Battery Installation

1. Locate the battery bracket and control box positioned on the back side of the chair frame. (FIG. 10)
2. Align the battery guides (FIG. 11B) with battery bracket and slide the battery connectors (FIG. 11C) into the control box.
3. Push opposite end of battery in and ensure that the battery release handle (FIG. 11A) locks into place. (FIG. 12)

Removal of Battery

1. While holding the battery with both hands, pull the battery release handle. (FIG. 11A)
2. Slide the battery to the left and then out.

Battery LED Indicators

- A plug-in indicator appears while the battery is charging. (FIG. 13)
- Once the battery is fully charged a battery meter will appear. (FIG. 14)



- Push the **RED** emergency button to stop **ALL** electrical operations
- When activated a **STOP** and **PLUG-IN** icon will appear (FIG. 4)
- To continue operation twist the **RED** button clockwise



FIG. 10

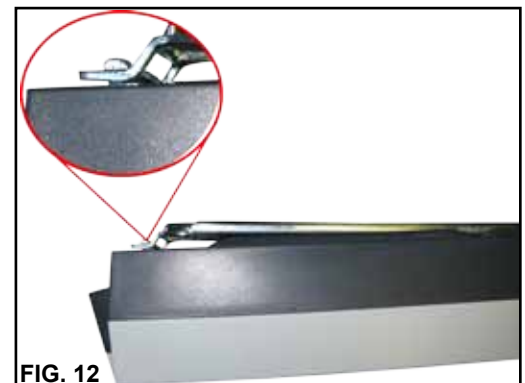
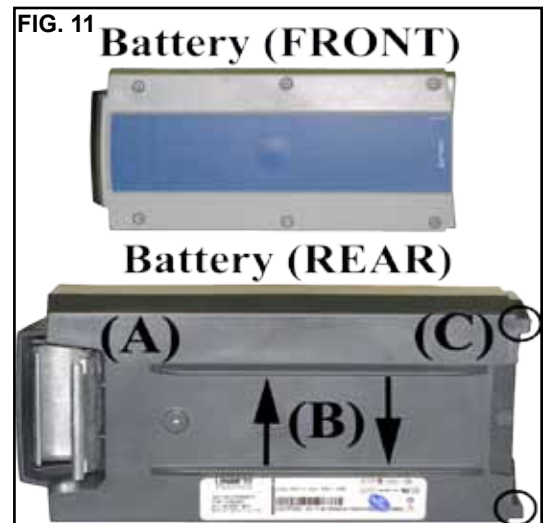


FIG. 12



FIG. 13



FIG. 14

MAINTENANCE GUIDE

Monarch Hydro Power Unit Replacement

1. Place chair in the layflat position (**SEE PAGE.7**) with the vertical lift in its **LOWEST** position. (**FIG.15**)
2. Unplug the Monarch Power cord from the battery control box. (**FIG.16**)
3. Locate the Power Unit positioned under the upholstered seat. (**FIG. 17**)
4. Remove the 5 screws and ALL nylon ties that secure the Power Unit to the chair frame.
5. Lift, rotate, and remove unit from the chair frame.
 - *Be sure to keep the Power Unit vertical (brass fittings up) to avoid oil spillage.*
6. Carefully unscrew all 4 brass fittings from the Power Unit. (**FIG. 19**)
7. Dispose of the old Power Unit carefully.
8. Cut black tubing to remove old ferrule and threaded fitting. (Cut where shown in **FIG. 18**)
9. Slide the black tube through the new threaded fitting
10. Insert tubing into the open Hydro Power Unit port
11. Slide the new threaded fitting onto the Hydro Power Unit port and tighten to a snug fit. (**FIG. 19**)
12. Repeat steps 8-11 for all 4 port fittings
13. Re-mount Power Unit to base frame
14. Insert the Monarch Power cord into the battery control box. (**FIG. 16**)
15. Test the new unit by running the vertical lift up and down 2-3 times.



FIG. 15



FIG. 16

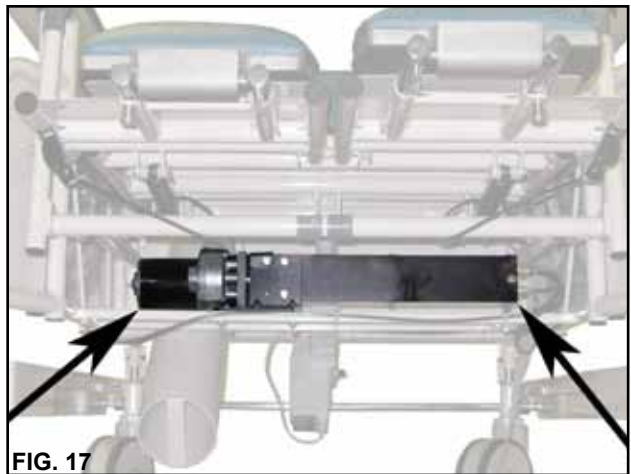


FIG. 17

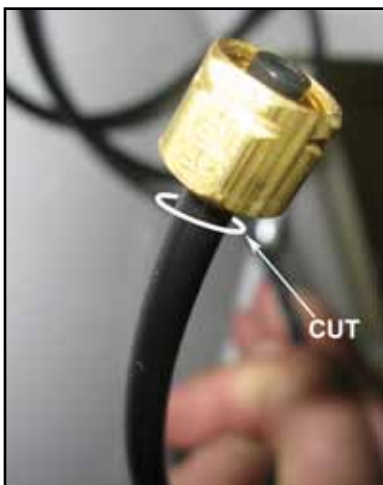


FIG. 18



FIG. 19

MAINTENANCE GUIDE

Linak Actuator Replacement

1. Place chair in the layflat position (SEE PAGE 7) with the vertical lift in its highest position. (FIG.20)
2. Unplug the Linak Actuator cord from the battery control box. (FIG.21)
3. Locate the Linak Actuator positioned just behind the Monarch Power Unit. (FIG.23)
4. Cut all nylon ties that secure the Linak Actuator's power cord to the chair frame.
5. Remove the upper mounting bolt and spacers. (FIG.22)
6. Remove the lower mounting bolt and spacers. (FIG.22)
7. Carefully remove the old Linak Actuator
8. Position the new Actuator and install the LOWER mounting bolt and spacers provided.
9. Plug-in the new Linak Actuator cord to the battery control box. (FIG.21)
10. Using the handset control, press the layflat positioning button to extend the actuator shaft to match the upper mounting bracket holes.
11. Position and install the upper mounting bolt and spacers. (FIG.22)
12. Secure the Linak Actuator power cord to the chair frame with the nylon ties provided.



FIG. 20



FIG. 21



FIG. 22



FIG. 23

MAINTENANCE GUIDE

Swing-leg Gas Spring Replacement

1. Fully elevate the legrests for easier access to the gas springs. **(FIG.24)**
2. Remove the swing-leg release handle by unscrewing the hex-head bolt. **(FIG.24)**
3. Locate the 2 gas springs positioned above the Monarch Power Unit
4. Remove **(A)** the front mounting pin and spacers first and then **(B)** the rear mounting pin and spacers. Keep for re-use. **(FIG.25)**
5. Discard old gas spring
6. Attach the front of the new gas spring using original pin and spacers
7. Attach the rear of the new gas spring WITHOUT any spacers.
8. Make sure the legrest with the new gas spring is level with the opposite legrest.
 - If the new gas spring requires adjustment, remove the rear pin and adjust.
 - Turn the casting LEFT to raise and RIGHT to lower.
9. After adjustment is complete, attach the rear of the gas spring with BOTH pin and spacers.
10. Re-attach the swing-leg release handle. **(FIG.24)**

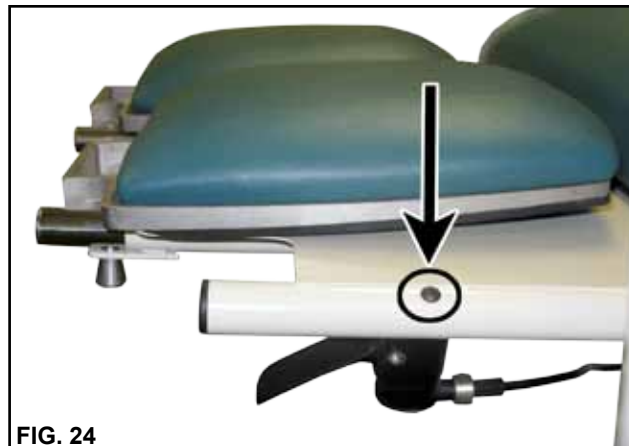


FIG. 24

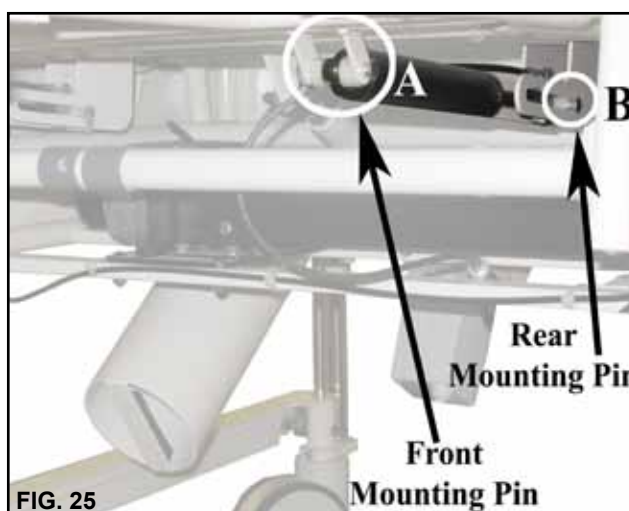


FIG. 25

GENERAL CARE & CLEANING OF VINYL UPHOLSTERY

Remove hair & body oils; Your recliner should be cleaned with mild soap & water solution and a damp cloth on a regular basis (especially where skin & hair make contact with upholstery). Avoid harsh detergents or chemicals that could damage the upholstery or finish of your recliner. If the recliner is disinfected, the chair MUST be wiped off with ONLY clean water on a damp cloth.

Note: Disinfectants alone, will not provide adequate "grease or oil cutting" properties to remove hair & skin oils. Over time, the appearance and feel of your upholstery may diminish if not cleaned properly.

Please refer to the **PERMABLOK** instruction tag that is attached to your Care Cliner for complete care and cleaning instructions.

Retain information on tag for future use.

FOR FURTHER CLEANING INFORMATION VISIT:

<http://www.wincomfg.com/permablok-info-and-cleaning-instructions>

OUR PRODUCTS

Other Quality Winco Furnishings You May Be Interested In:



Clinical Recliners



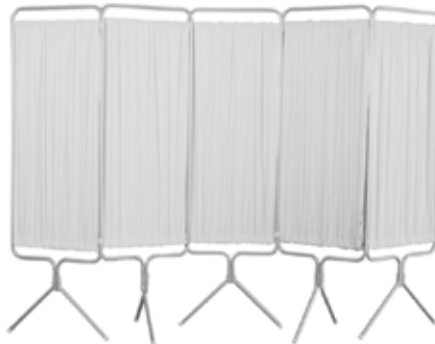
Exam Tables



Convalescent (LTC) Recliners



Ring Binder Carts



Privacy Screens



Phlebotomy Chairs



Specialty Chair Transfer Chairs



Stools



Room Chairs

Visit us online at www.wincomfg.com



ISO 9001-2008 CERTIFIED

LIMITED WARRANTY

TERMS

Winco Mfg., LLC. warrants this product to be free of manufacturer's defects in material and workmanship, provided that the product is used according to normal operating conditions and proper maintenance intended by manufacturer. This warranty is available only to the original retail purchaser, is non-transferable and commences on the date of retail sale; proof of purchase required.

LIMITED ONE YEAR COMPLETE PRODUCT WARRANTY: Winco Mfg., LLC. warrants the complete product for one (1) year. At Winco Mfg., LLC. sole discretion, it may repair or replace any components freight free that are found to be defective during the first year. Winco Mfg., LLC. shall not be liable for any labor, or any other costs incurred as a result of or in conjunction with a warranty claim.

LIMITED THREE YEAR WARRANTY: Winco Mfg., LLC. warrants the recliner mechanisms, electrical components, vinyl [from cracking or delaminating] pressurized gas springs, when new, for a period of three (3) years. At Winco Mfg., LLC. sole discretion, it may repair or replace components found to be defective. Winco Mfg., LLC. shall not be liable for any labor, shipping or any other costs incurred as a result of or in conjunction with a warranty claim.

LIMITED LIFETIME CHAIR FRAME WARRANTY: Winco Mfg., LLC. warrants the steel chair frame, when new, for the lifetime of the original purchaser. This limited warranty does not apply to paint/finish or any components attached to the frame such as; upholstery, foam, casters, mechanisms or related parts that are covered under above warranties. Winco Mfg., LLC. shall not be liable for any labor, shipping or any other costs incurred as a result of or in conjunction with a warranty claim.

The purchaser's exclusive remedy under this warranty shall be limited to such repair or replacement of defective components at Winco Mfg., LLC. sole discretion. For warranty service, contact the dealer that the product was originally purchased from or Winco Mfg., LLC. directly.

EXCLUSIONS

There are no other warranties, conditions, representations or guarantees, express or implied, made or intended by Winco Mfg., LLC., and all other warranties, conditions, representations or guarantees including any warranties, conditions, representations or guarantees under any Sale of Good Act or Like legislation or statute is hereby expressly excluded. Any and all other implied warranties shall not extend beyond the duration of the express warranty. Liability for incidental or consequential damages is excluded to the extent permitted by law. Some states do not allow the exclusion or limitation so the above limitation or exclusion may not apply to you. This warranty gives you specific legal rights. In addition you may also have other rights, which vary from state to state.

GENERAL PROVISIONS

No warranty herein contained or set out shall apply when damage or repair is caused by any of the following:

1. Damage in transit.
2. Accident, alteration, abuse or misuse of product ie. exceeding weight capacities, applying inordinate pressure to footrest/leg rest, use in Mental Health facilities or like institutions.
3. Fire, water damage, theft, war, riot, hostility, acts of God.

Examples contained in this list are not to be construed as all-inclusive.



5516 Southwest 1st Lane

Ocala, Florida 34474

1-800-237-3377/ 352-854-2929/ Fax: 352-854-9544

e-mail: customerservice@wincomfg.com

www.wincomfg.com